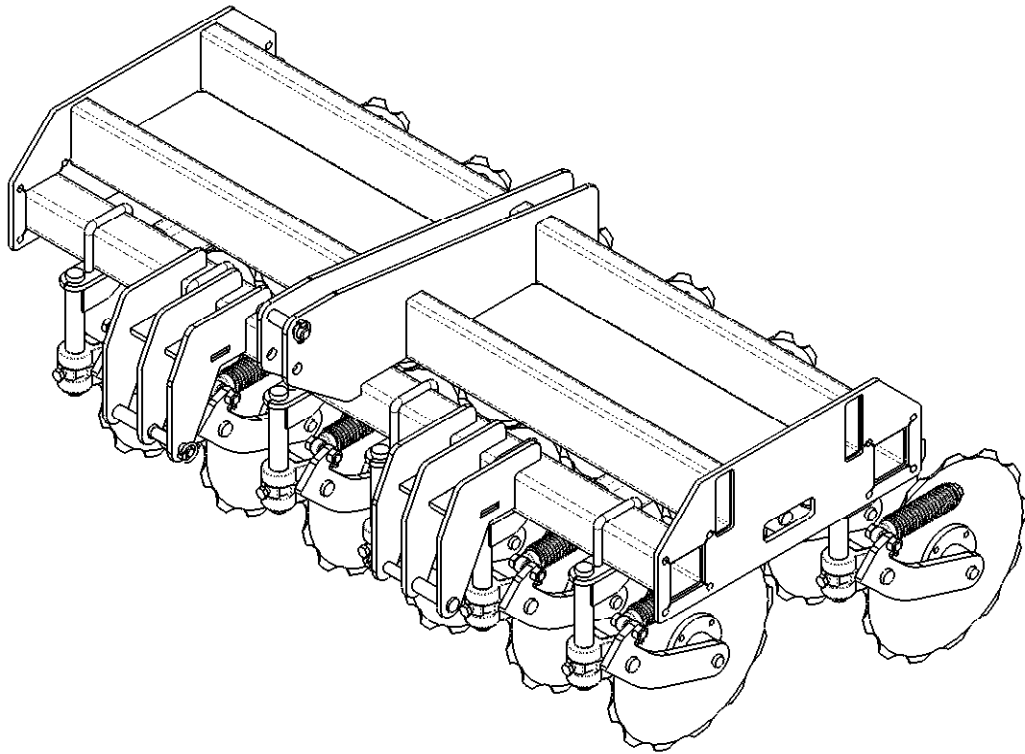


# **BURCHLAND**

# **SCX**

## **STRAW CRIMPERS**



## **PARTS BOOK**

# BURCHLAND SCX-SERIES STRAW CRIMPER PARTS BOOK

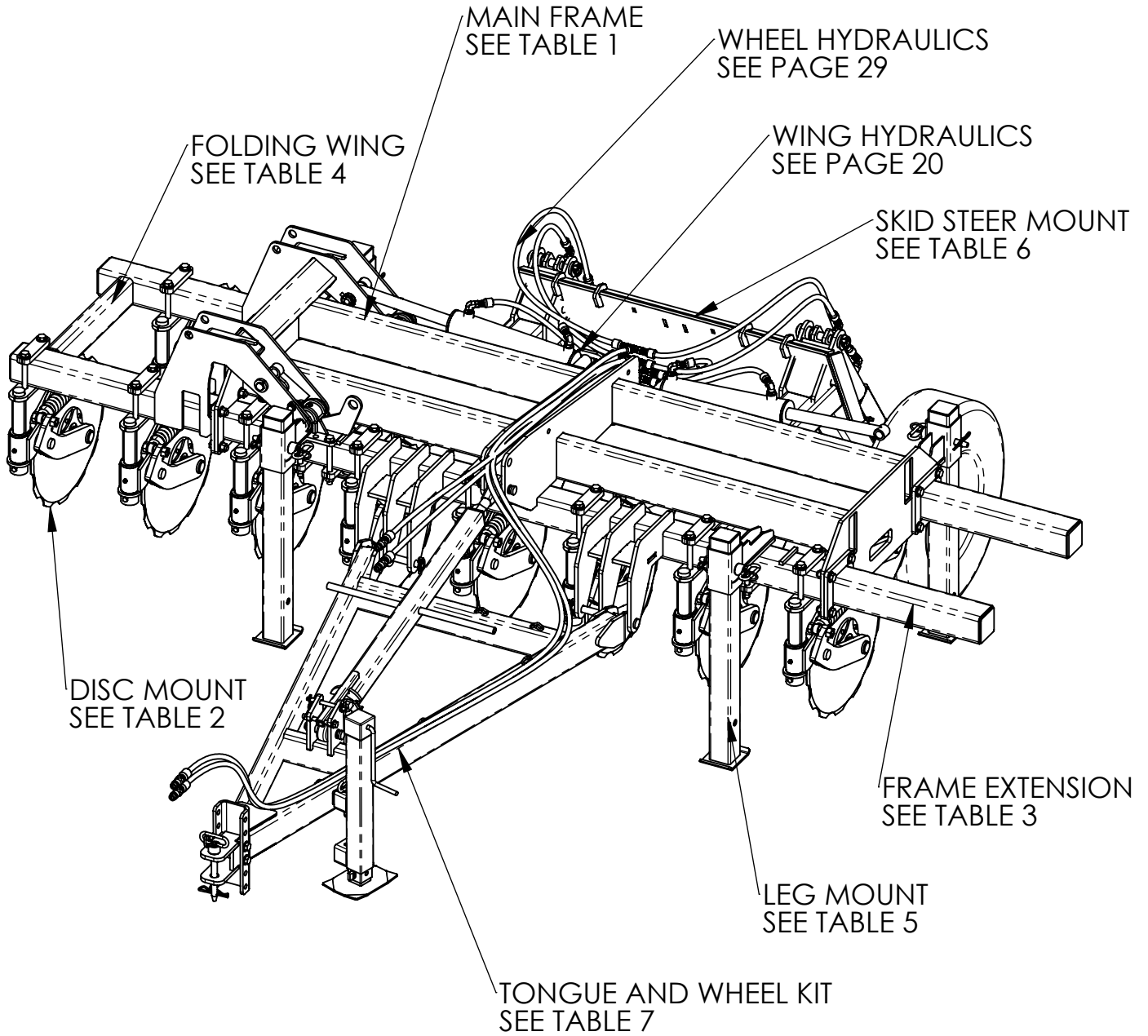


TABLE 1		MAIN FRAME
PAGE NO.	PART NUMBER	DESCRIPTION
3	14781	88" WIDE FRAME
4	14785	76.5" WIDE FRAME
5	16641	88" FRAME, CAT 3

CONTINUED ON PAGE 2

CONTINUED FROM PAGE 1

TABLE 2			DISC MOUNT	
PAGE NO.	PART NUMBER	DESCRIPTION		
7	15373	DISC MOUNT, 2 BOLTS		
8	15376	DISC MOUNT, 4 BOLTS		
9	15374	COULTER ASSEMBLY		

TABLE 3			FRAME EXTENSION	
PAGE NO.	PART NUMBER	DESCRIPTION		
11	14780	5" FRAME EXTENSION		
12	14788	13" FRAME EXTENSION		
13	14787	17" FRAME EXTENSION		
14	14789	21" FRAME EXTENSION		
15	14793	30" FRAME EXTENSION		
16	13576	54" FRAME EXTENSION		

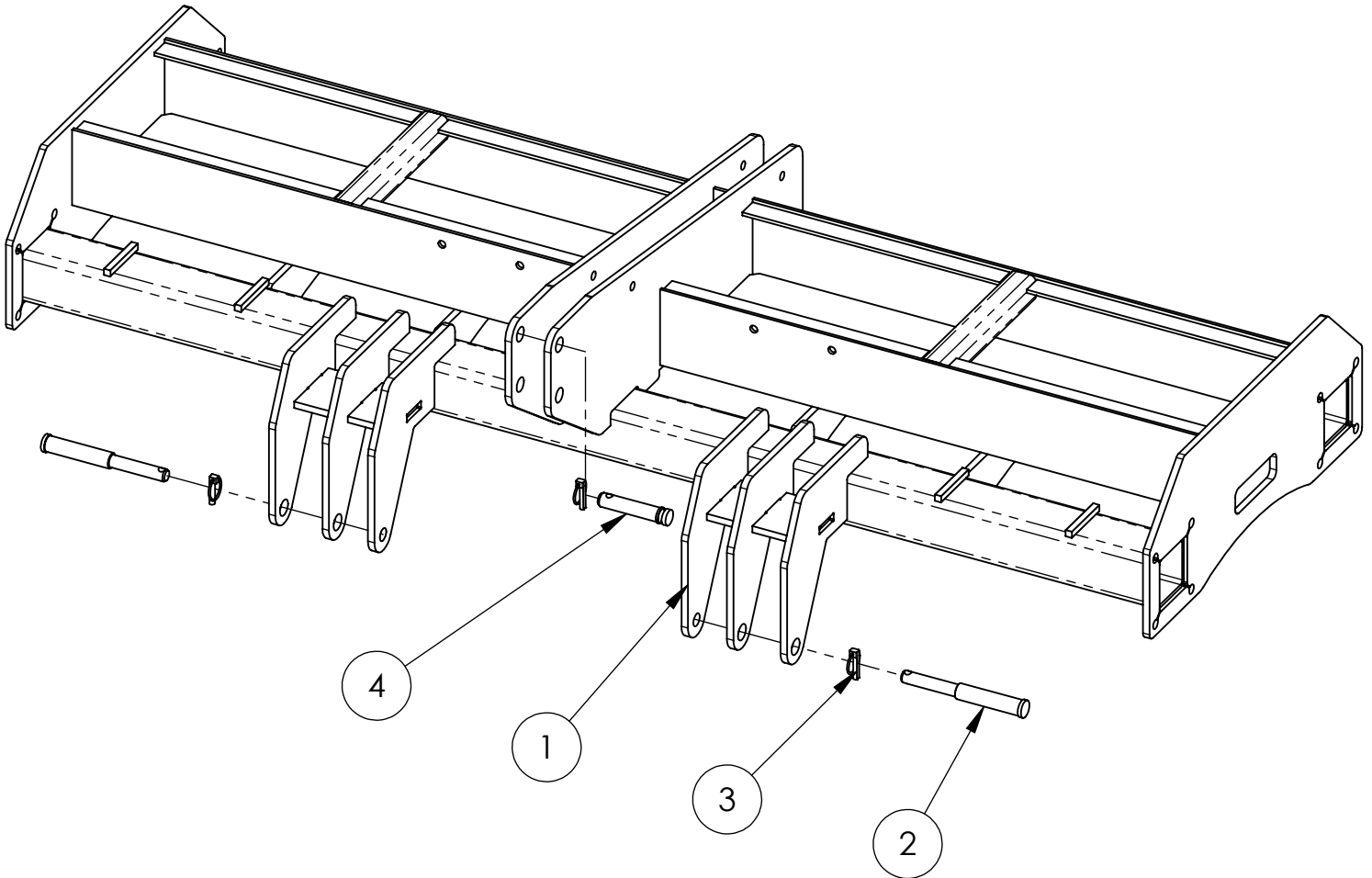
TABLE 4			FOLDING WING	
PAGE NO.	PART NUMBER	DESCRIPTION		
17	14816	WING, 12' WIDE, 6" DISC SPACING		
18	14812	WING, 12' WIDE, 8" DISC SPACING		
19	14845	WING, 16' WIDE, 6" DISC SPACING		
20	14814	WING, 16' WIDE, 8" DISC SPACING		

TABLE 5			LEG MOUNT	
PAGE NO.	PART NUMBER	DESCRIPTION		
22	14853	LEG MOUNT		
23	14817	FRONT LEG MOUNT		

TABLE 6			SKID STEER MOUNT	
PAGE NO.	PART NUMBER	DESCRIPTION		
24	14782	SS MOUNT, 8" DISC SPACING		
25	14783	SS MOUNT, 6" DISC SPACING		
26	14784	6' WIDE, 8" SPACING OR 10' WIDE, 8" SPACING		

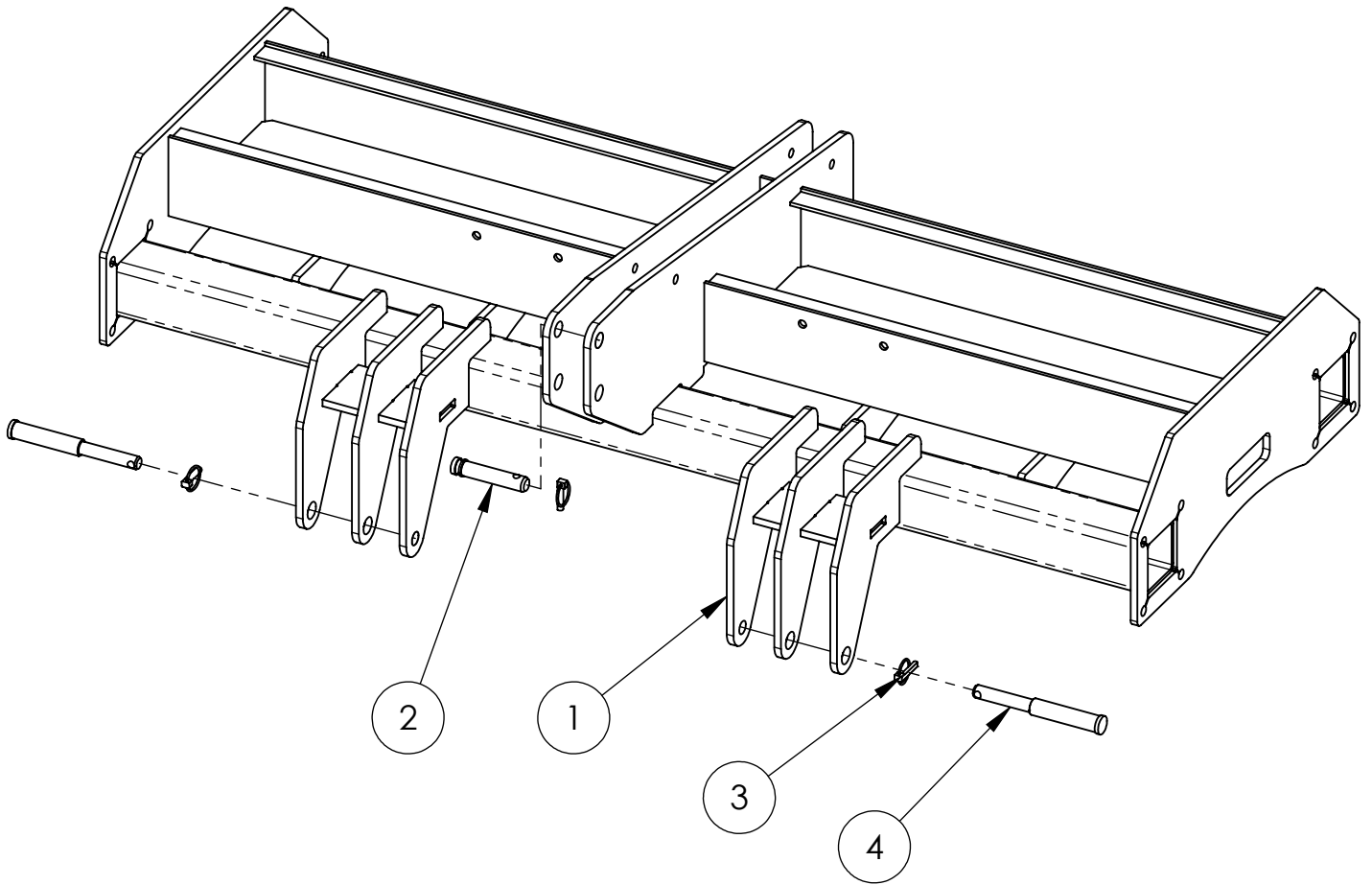
TABLE 7			TONGUE & WHEEL	
PAGE NO.	PART NUMBER	DESCRIPTION		
27	14849	WHEEL KIT, SINGLE		
28	15098	WHEEL KIT, DOUBLE		

**STRAW CRIMPER  
88" FRAME ASSEMBLY  
14781**



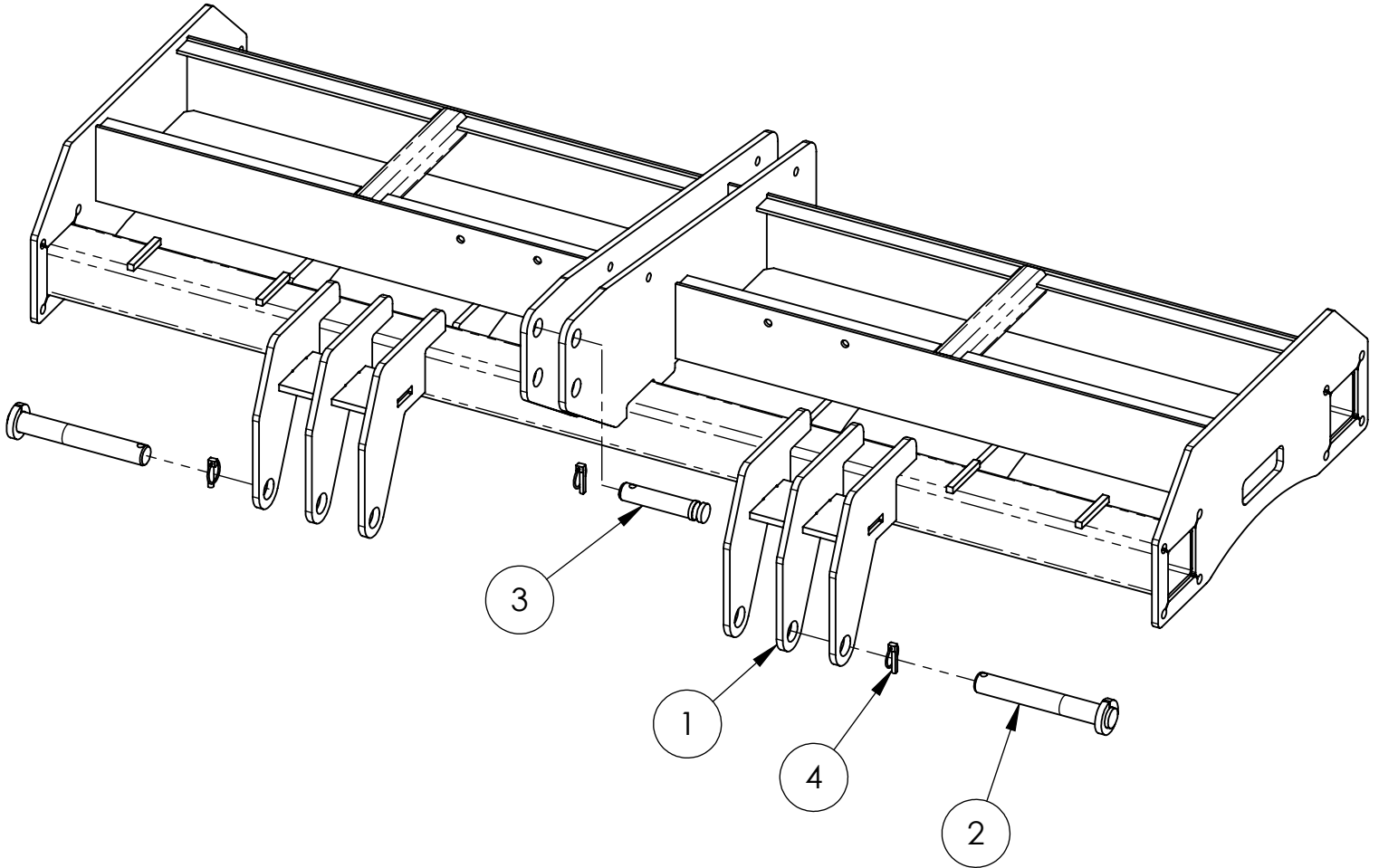
ITEM NO.	PART NUMBER	DESCRIPTION	QTY.
1	16900	STRAW CRIMPER FRAME, 88"	1
2	10416	PIN, LOWER 3-POINT	2
3	10123	LINCH PIN, 7/16	3
4	10121	PIN - CAT II TOP, 3 POINT	1

**STRAW CRIMPER  
76.5" FRAME ASSEMBLY  
14785**



ITEM NO.	PART NUMBER	DESCRIPTION	QTY.
1	16700	STRAW CRIMPER FRAME, 76.5"	1
2	10121	PIN - CAT II TOP, 3 POINT	1
3	10123	LINCH PIN, 7/16	3
4	10416	PIN, LOWER 3-POINT	2

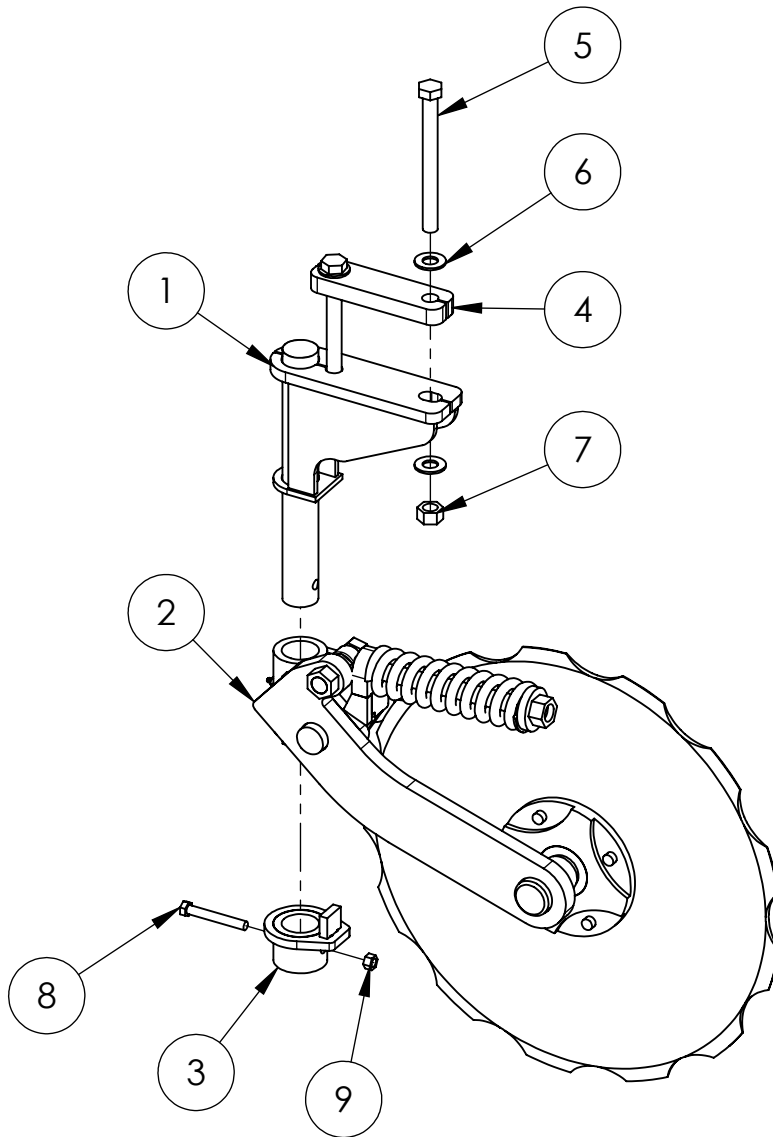
**STRAW CRIMPER  
88" FRAME ASSEMBLY  
16641**



ITEM NO.	PART NUMBER	DESCRIPTION	QTY.
1	16950	SCX FRAME, 88", CAT 3	1
2	17951	PIN, 1.44" X 9", CAT 3 LOWER	2
3	16638	PIN, CAT 3 TOP 3-POINT	1
4	10123	LINCH PIN, 7/16	3



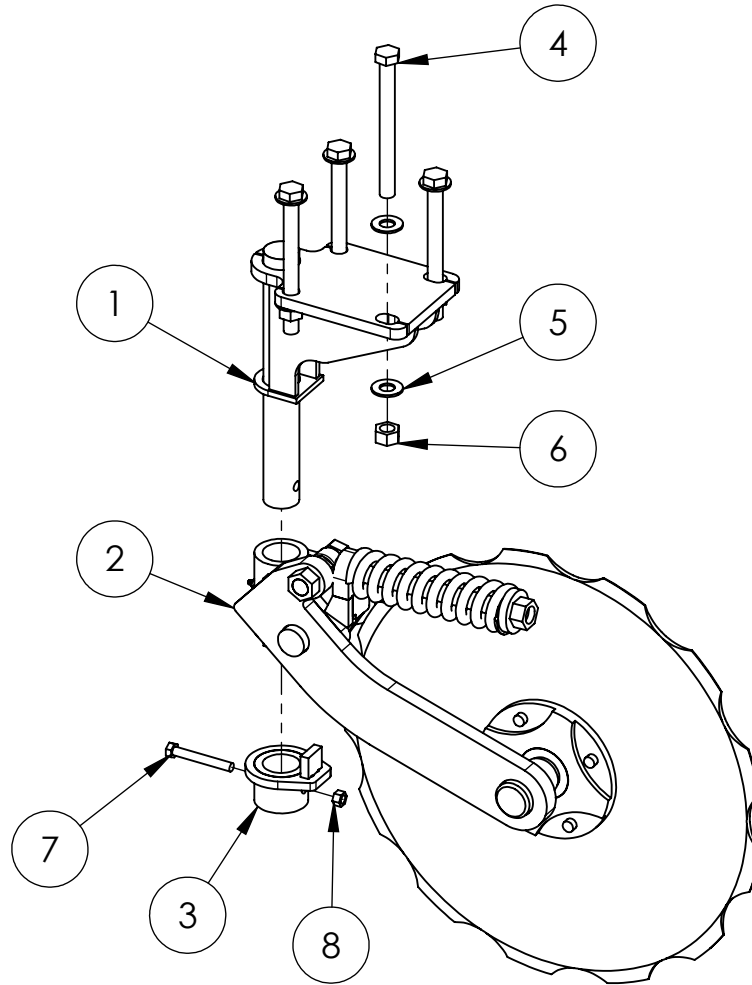
## DISC ASSEMBLY 15373



ITEM NO.	PART NUMBER	DESCRIPTION	QTY.
1	14930	COULTER MOUNT BRACKET	1
2	15374	SCX COULTER ASSEMBLY	1
3	14427	COULTER STOP	1
4	14859	PLATE, COULTER MOUNT	1
5	14820	BOLT, 5/8-11 X 6.5 GR8 ZY	2
6	10104	WASHER, 5/8 GR8 ZY	4
7	11122	NUT, 5/8-11 SLTL GR8 ZY	2
8	10959	BOLT, 3/8-16 X 2.75 GR8 ZY	1
9	10947	NUT, 3/8-16 SLTL GR8 ZY	1

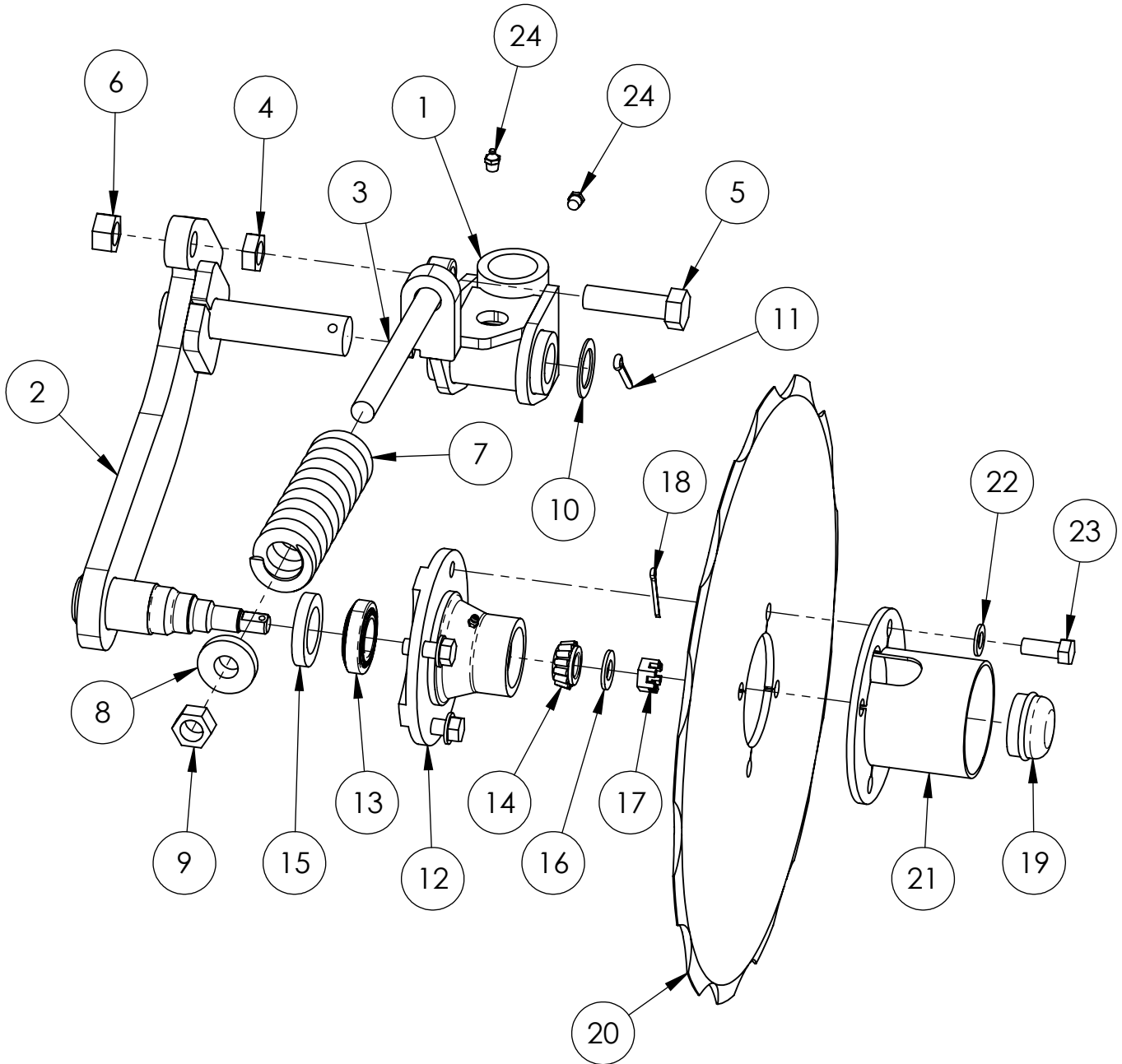


**DISC ASSEMBLY, 4 BOLTS  
15376**



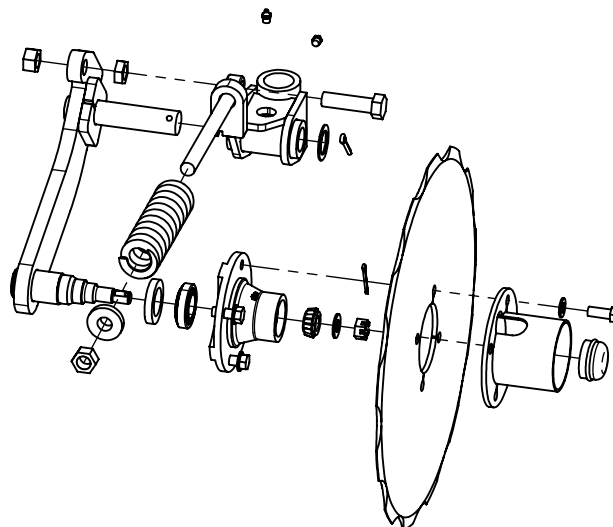
ITEM NO.	PART NUMBER	DESCRIPTION	QTY.
1	15051	COULTTER MOUNT BRACKET	1
2	15374	SCX COULTTER ASSEMBLY	1
3	14427	COULTTER STOP	1
4	14820	BOLT, 5/8-11 X 6.5 GR8 ZY	4
5	10104	WASHER, 5/8 GR8 ZY	8
6	11122	NUT, 5/8-11 SLTL GR8 ZY	4
7	10959	BOLT, 3/8-16 X 2.75 GR8 ZY	1
8	10947	NUT, 3/8-16 SLTL GR8 ZY	1

# SCX COULTER ASSEMBLY 15374

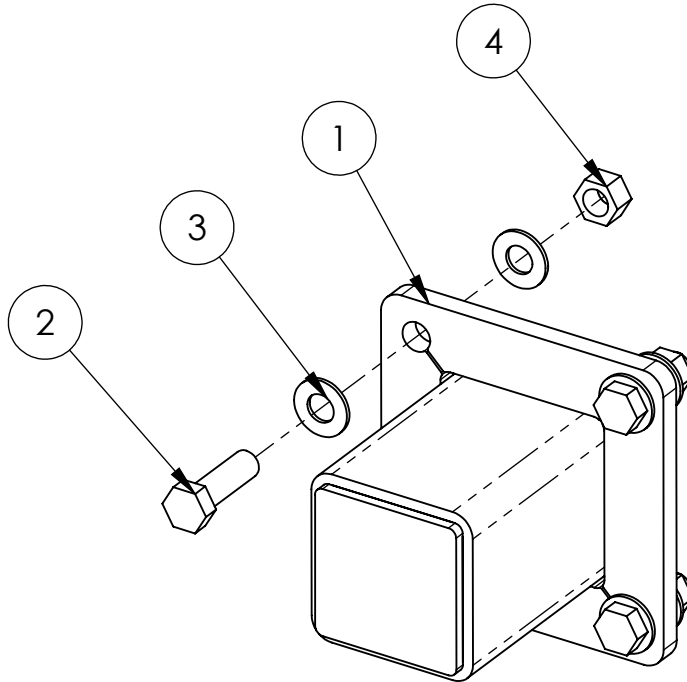


## SCX COULTER ASSEMBLY 15374

ITEM NO.	PART NUMBER	DESCRIPTION	QTY.
1	14416	COULTER SWIVEL BRACKET	1
2	13117	BRACKET, COULTER ARM	1
3	10438	COULTER SPRING ROD	1
4	11204	NUT - 3/4-10 GR8 JAM ZY	1
5	10108	BOLT, 3/4-10 X 2.75 GR8 ZY	1
6	10632	NUT, 3/4-10 GR8 ZY	1
7	10468	SPRING, COULTER ARM	1
8	10469	BUSHING - SPRING TENSION	1
9	10106	NUT - 3/4-10 GR8 TL ZY	1
10	10470	WASHER - 1 17/64 ID X 1 7/8 OD X 14GA	1
11	10471	COTTER PIN, 1/4 X 1 3/4	1
12	12621	HUB, 4 BOLT, 5" W/ CUPS	1
13	12718	BEARING CONE, 1.25" LM67048	1
14	12713	BEARING CONE, .75"	1
15	12714	SEAL, 2.328 X 1.50 X .390	1
16	14414	PLATE, WASHER 669 SPINDLE	1
17	12716	NUT, SLOTTED HEX, 5/8-18	1
18	10963	COTTER PIN, 1/8 X 1.75	1
19	12715	HUB CAP, N669 HUB	1
20	13340	BLADE, STRAW CRIMPER 20 OD	1
21	11738	HUB CAP GUARD	1
22	10062	WASHER, 1/2 SAE GR8 ZY	4
23	12165	BOLT, 1/2-20 X 1.25 GR8 ZY	4
24	10434	GREASE ZERK, 1/8 NPT ST.	2

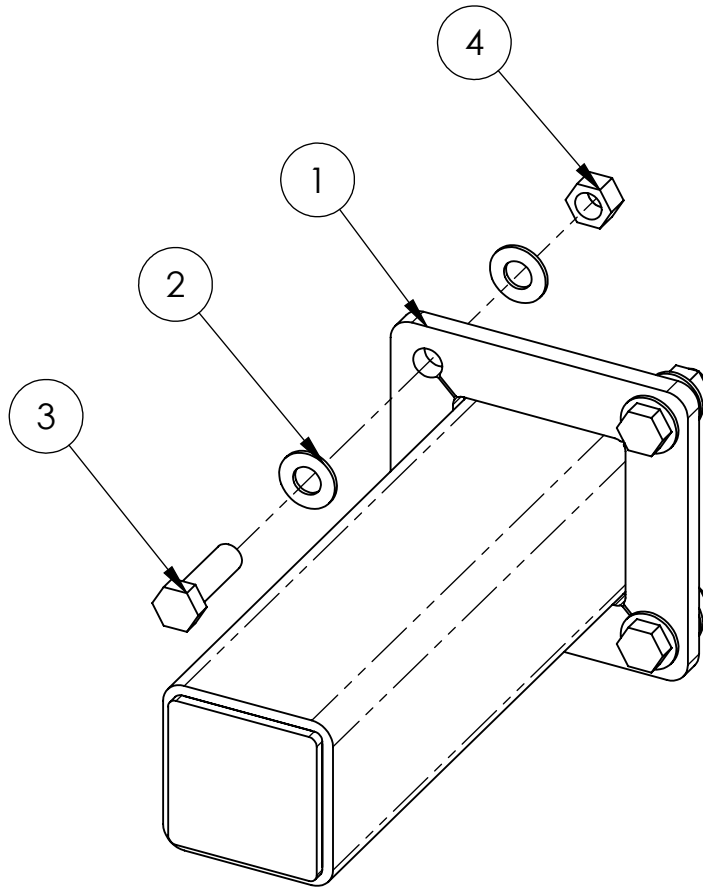


## FRAME, 5" EXTENSION 14780



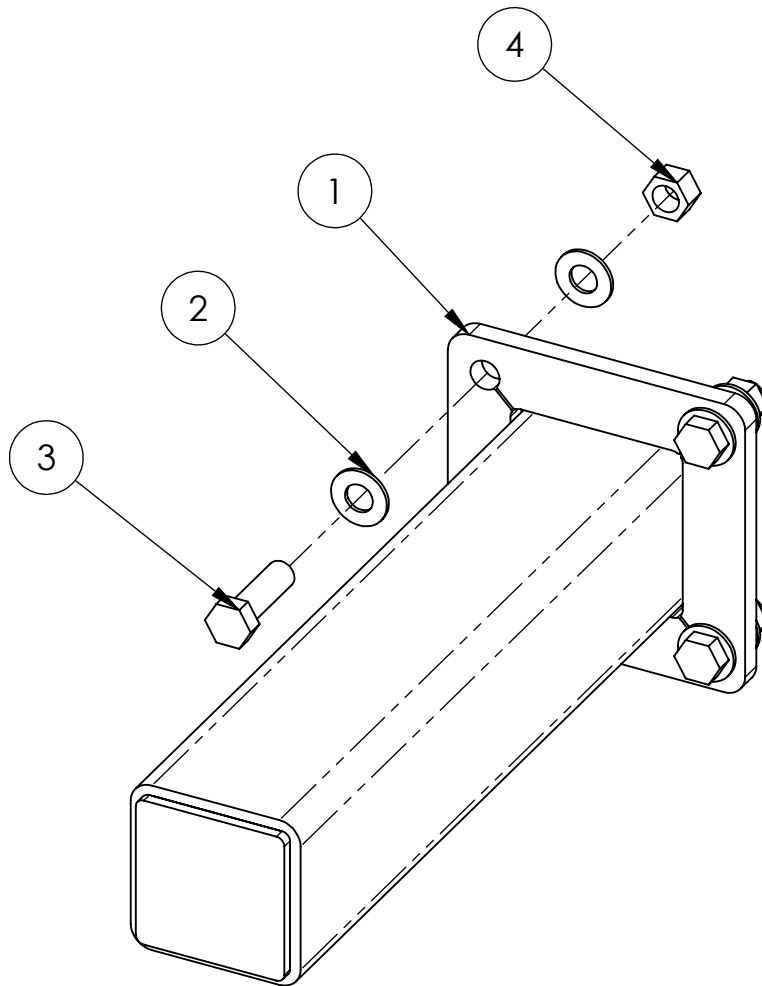
ITEM NO.	PART NUMBER	DESCRIPTION	QTY.
1	11392	FRAME EXTENSION, 5"	1
2	10886	BOLT, 5/8-11 X 2.0 GR8 ZY	4
3	10104	WASHER, 5/8 GR8 ZY	8
4	11122	NUT, 5/8-11 SLTL GR8 ZY	4

**FRAME, 13" EXTENSION  
14788**



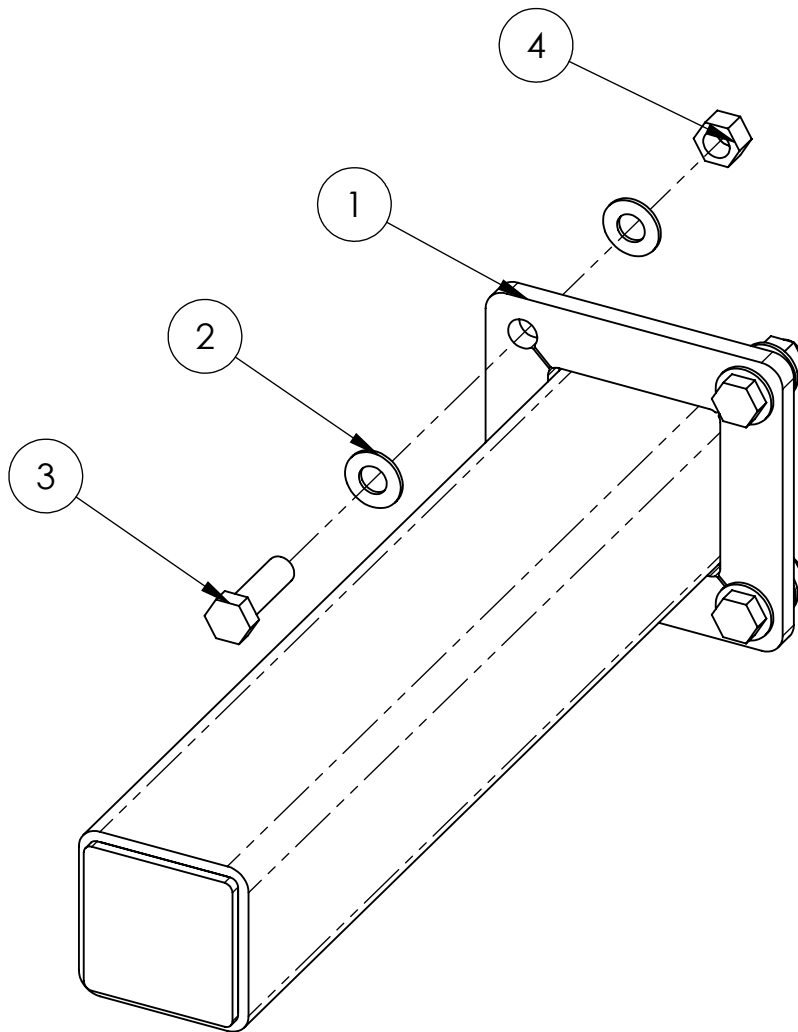
ITEM NO.	PART NUMBER	DESCRIPTION	QTY.
1	13344	FRAME EXTENSION, 13.5	1
2	10104	WASHER, 5/8 GR8 ZY	8
3	10886	BOLT, 5/8-11 X 2.0 GR8 ZY	4
4	11122	NUT, 5/8-11 SLTL GR8 ZY	4

**FRAME, 17" EXTENSION  
14787**



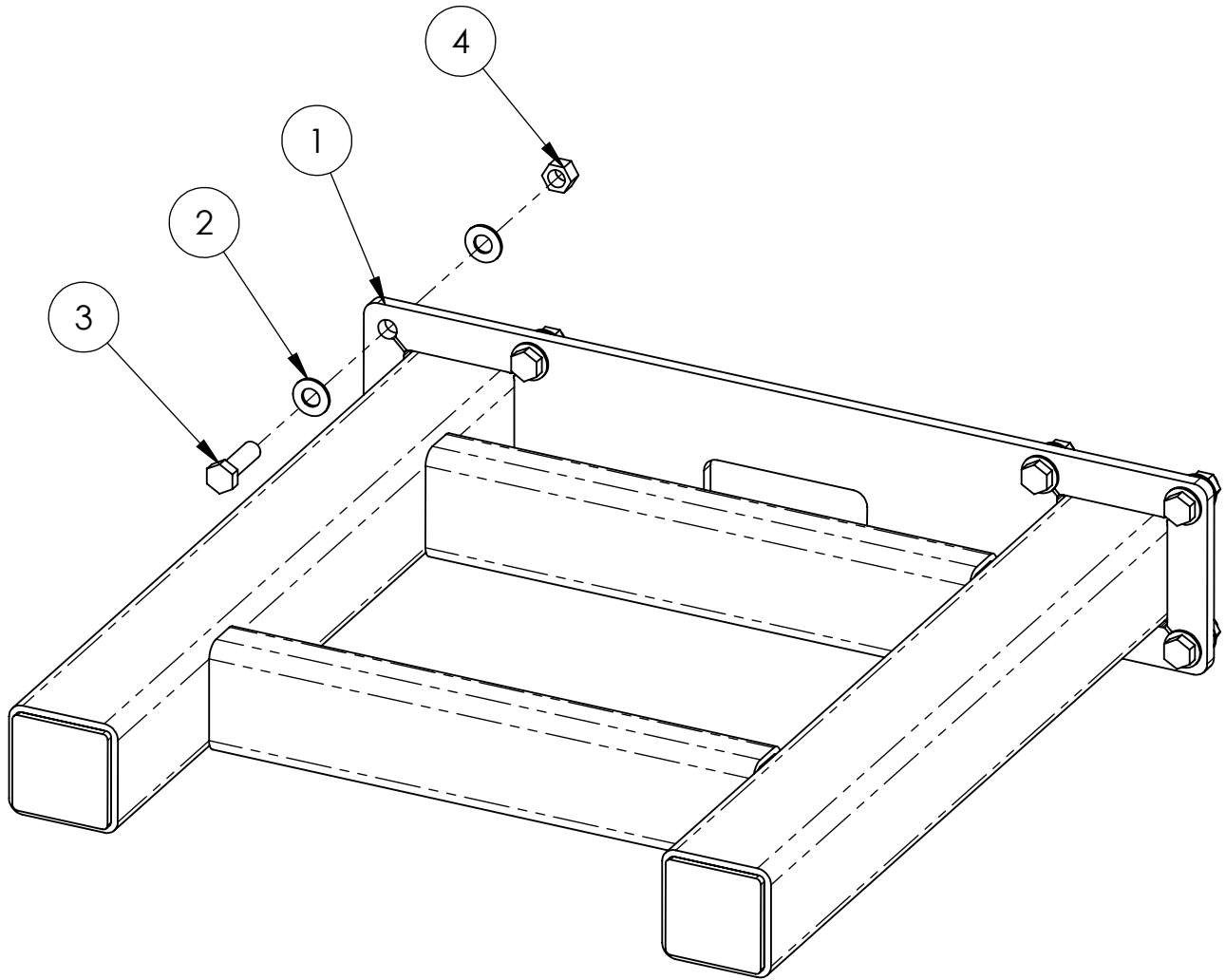
ITEM NO.	PART NUMBER	DESCRIPTION	QTY.
1	11384	FRAME EXTENSION, 17.5"	1
2	10104	WASHER, 5/8 GR8 ZY	8
3	10886	BOLT, 5/8-11 X 2.0 GR8 ZY	4
4	11122	NUT, 5/8-11 SLTL GR8 ZY	4

**FRAME, 21" EXTENSION  
14789**



ITEM NO.	PART NUMBER	DESCRIPTION	QTY.
1	13655	FRAME EXTENSION, 21.5"	1
2	10104	WASHER, 5/8 GR8 ZY	8
3	10886	BOLT, 5/8-11 X 2.0 GR8 ZY	4
4	11122	NUT, 5/8-11 SLTL GR8 ZY	4

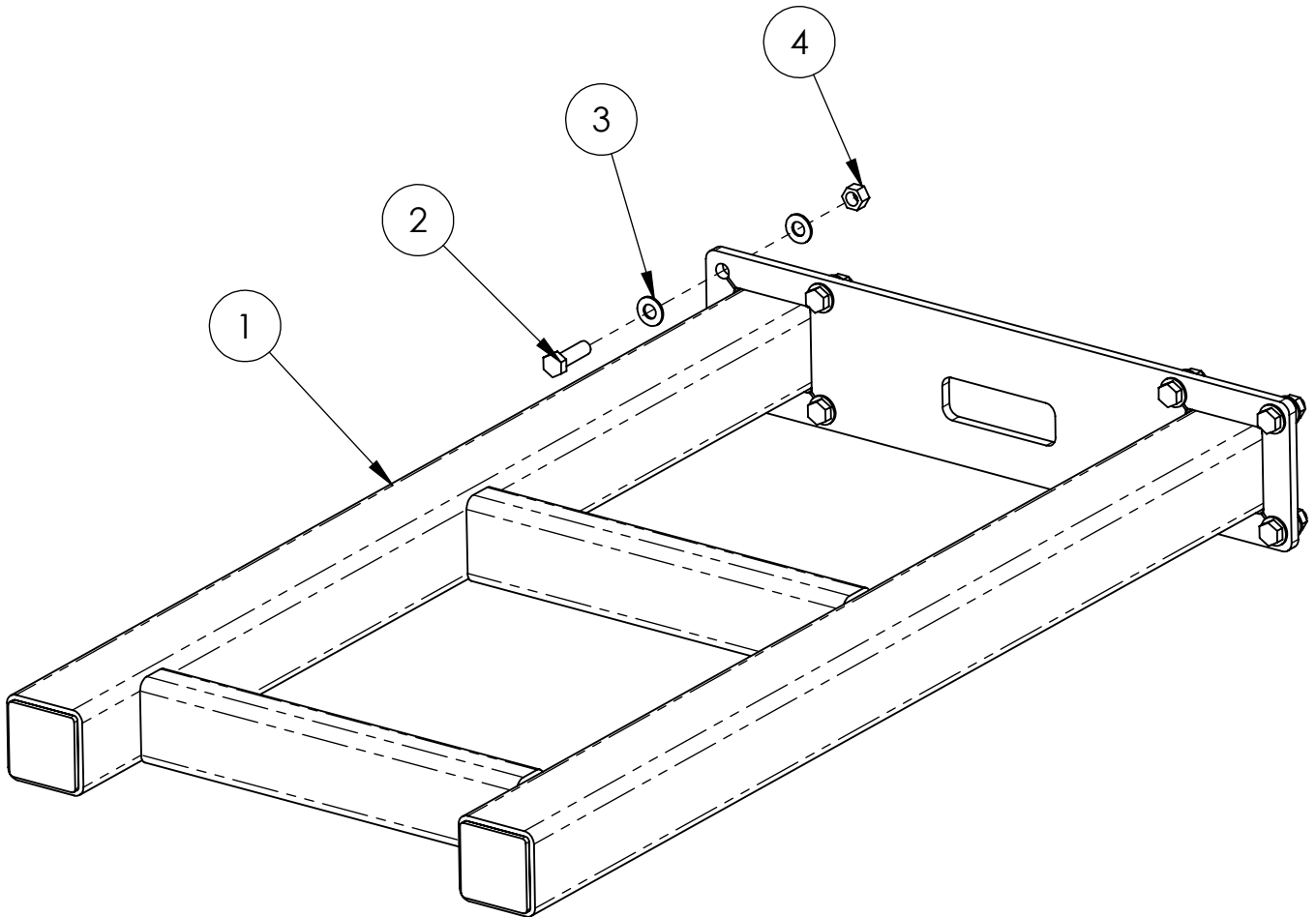
**FRAME, 30" EXTENSION  
14793**



ITEM NO.	PART NUMBER	DESCRIPTION	QTY.
1	12825	SCX FRAME EXTENSION, 12'	1
2	10104	WASHER, 5/8 GR8 ZY	16
3	10886	BOLT, 5/8-11 X 2.0 GR8 ZY	8
4	11122	NUT, 5/8-11 SLTL GR8 ZY	8

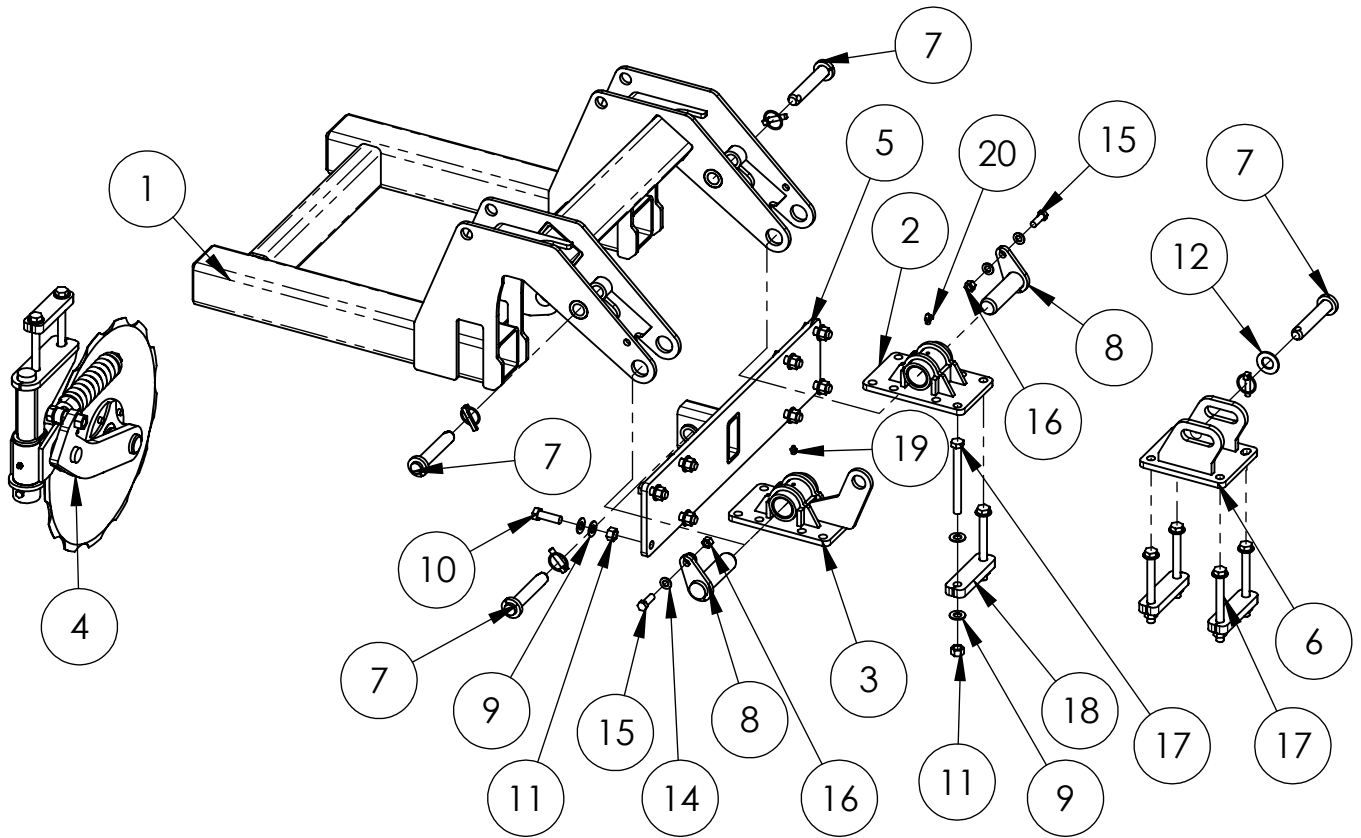


**FRAME, 54" EXTENSION  
13576**



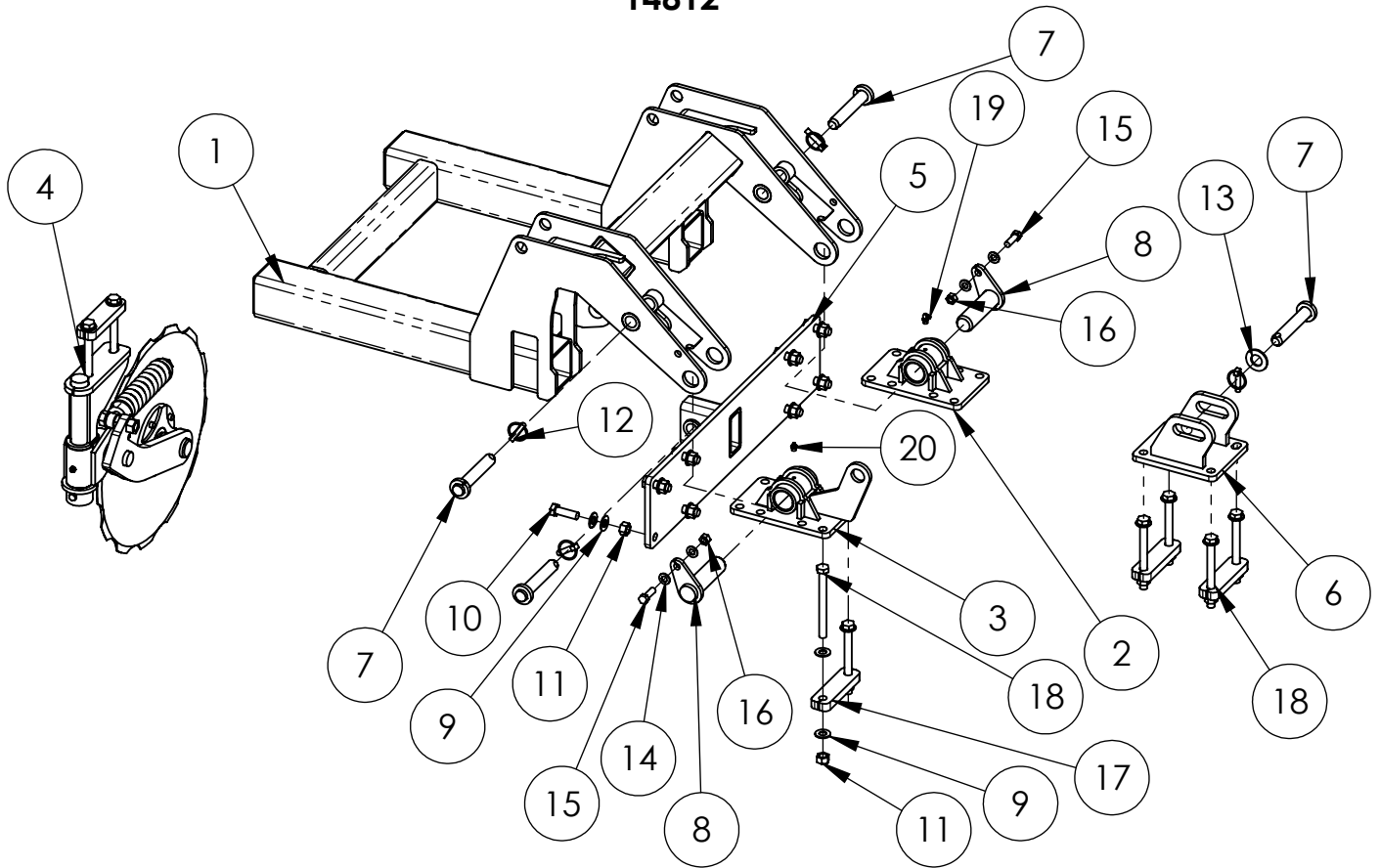
ITEM NO.	PART NUMBER	DESCRIPTION	QTY.
1	14815	SCX FRAME EXT, 16' RIGID	1
2	10886	BOLT, 5/8-11 X 2.0 GR8 ZY	8
3	10104	WASHER, 5/8 GR8 ZY	16
4	11122	NUT, 5/8-11 SLTL GR8 ZY	8

**SCX WING, 12' WIDE, 6" SPACING  
14816**



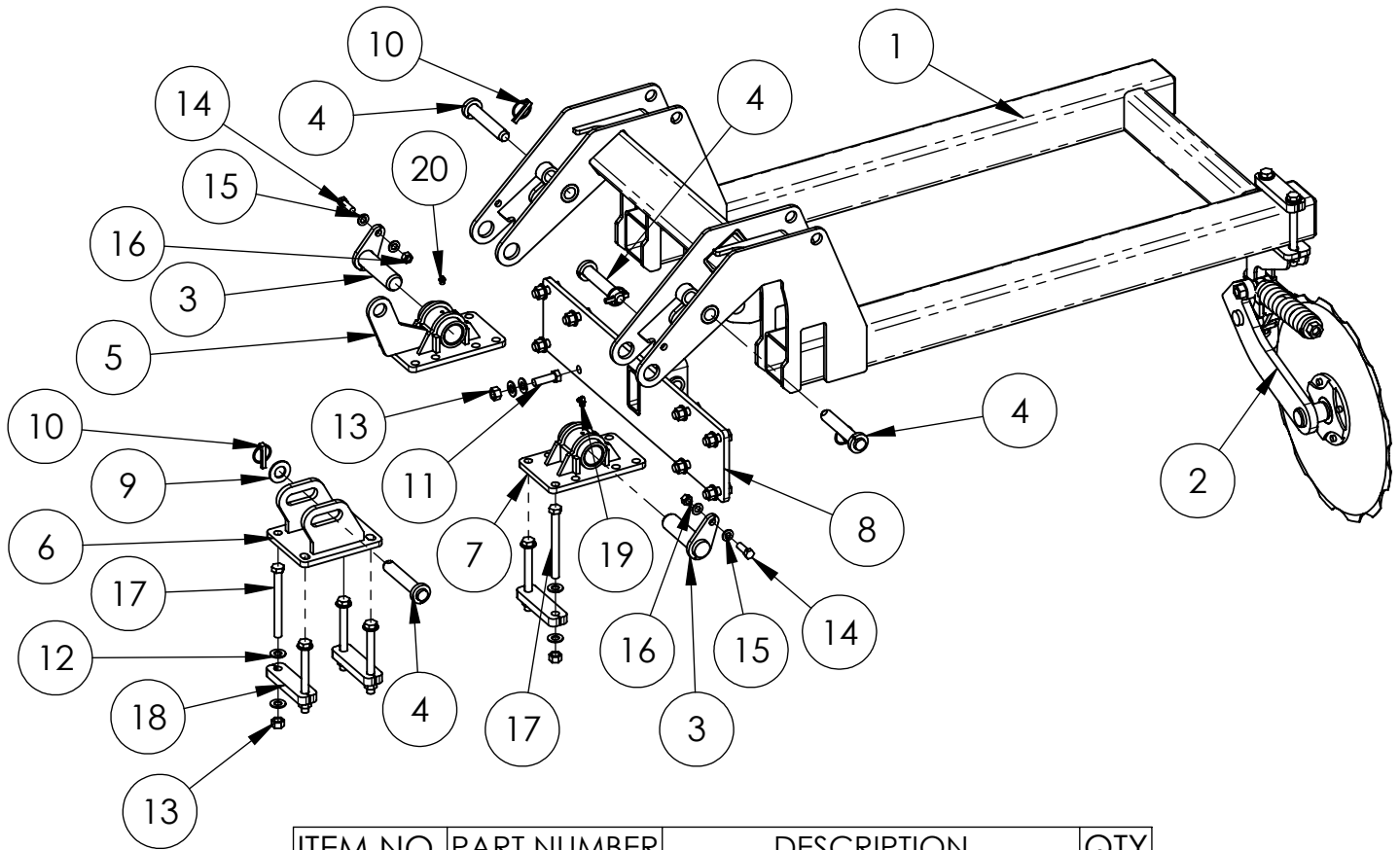
ITEM NO.	PART NUMBER	DESCRIPTION	QTY
1	12703	CRIMPER WING, 12'	1
2	12164	PIVOT BRACKET, REAR	1
3	12230	PIVOT BRACKET, FRONT	1
4	15373	SCX BLADE ASSY, 2 BOLT	5
5	12724	WING STOP BRACKET	1
6	12198	CYLINDER MOUNT BRACKET	1
7	12723	PIN, 1 X 4.75	4
8	12235	PIVOT PIN	2
9	10104	WASHER, 5/8 GR8 ZY	28
10	10886	BOLT, 5/8-11 X 2.0 GR8 ZY	8
11	11122	NUT, 5/8-11 SLTL GR8 ZY	14
12	10679	WASHER, 1" SAE GR8 ZY	1
13	10123	LINCH PIN, 7/16	4
14	10062	WASHER, 1/2 SAE GR8 ZY	4
15	10394	BOLT, 1/2-13 X 1.50 GR8 ZY	2
16	10395	NUT, 1/2-13 GR8 HEX ZY	2
17	14820	BOLT, 5/8-11 X 6.5 GR8 ZY	6
18	14859	PLATE, COULTER MOUNT	3
19	10434	GREASE ZERK, 1/8 NPT ST.	1
20	15101	GREASE ZERK, 1/8" NPT, 90	1

**SCX WING, 12' WIDE, 8" SPACING  
14812**



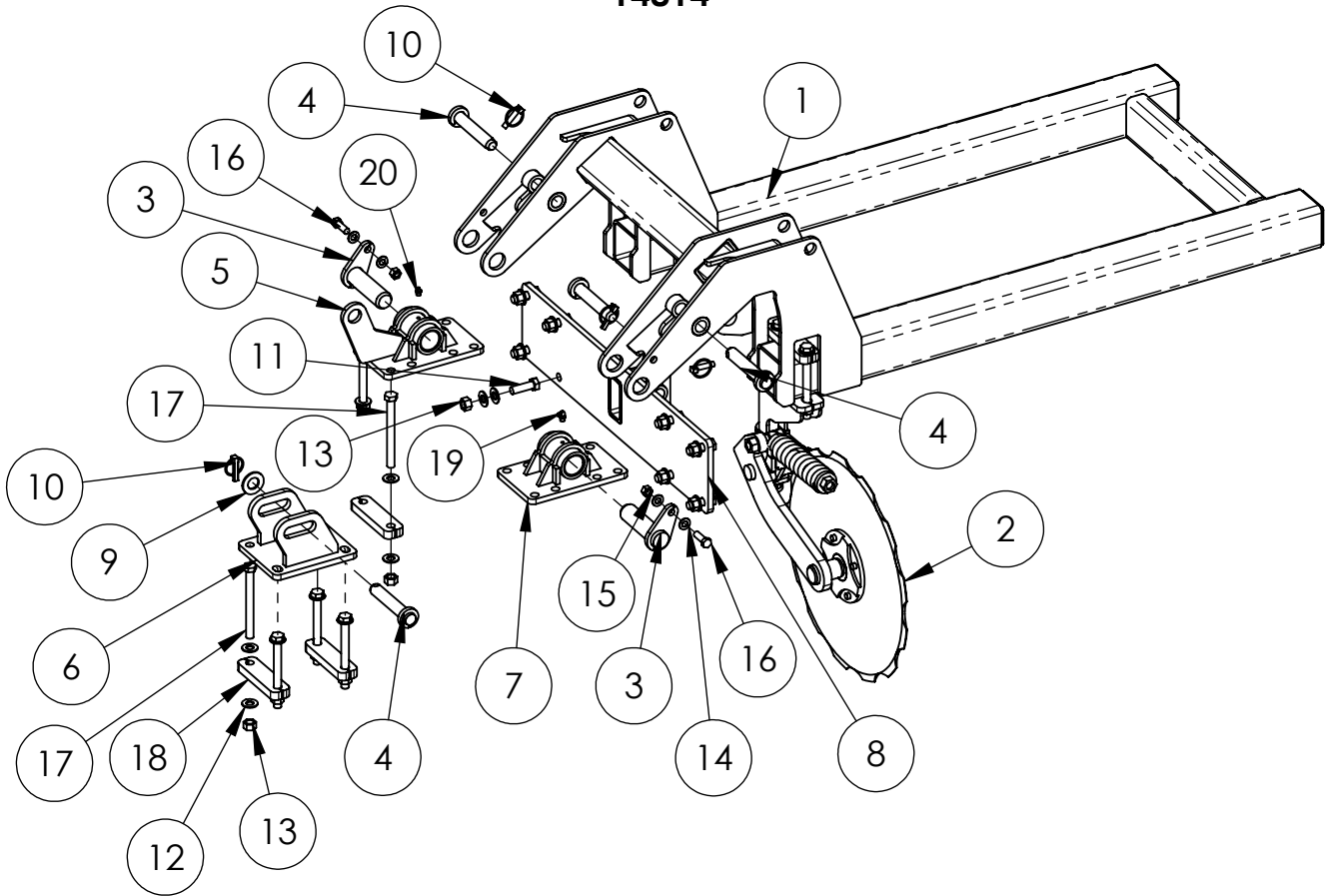
ITEM NO.	PART NUMBER	DESCRIPTION	QTY
1	12703	CRIMPER WING, 12'	1
2	12164	PIVOT BRACKET, REAR	1
3	12230	PIVOT BRACKET, FRONT	1
4	15373	SCX BLADE ASSY, 2 BOLT	4
5	12724	WING STOP BRACKET	1
6	12198	CYLINDER MOUNT BRACKET	1
7	12723	PIN, 1 X 4.75	4
8	12235	PIVOT PIN	2
9	10104	WASHER, 5/8 GR8 ZY	28
10	10886	BOLT, 5/8-11 X 2.0 GR8 ZY	8
11	11122	NUT, 5/8-11 SLTL GR8 ZY	14
12	10123	LINCH PIN, 7/16	4
13	10679	WASHER, 1" SAE GR8 ZY	1
14	10062	WASHER, 1/2 SAE GR8 ZY	4
15	10394	BOLT, 1/2-13 X 1.50 GR8 ZY	2
16	10395	NUT, 1/2-13 GR8 HEX ZY	2
17	14859	PLATE, COULTER MOUNT	3
18	14820	BOLT, 5/8-11 X 6.5 GR8 ZY	6
19	15101	GREASE ZERK, 1/8" NPT, 90	1
20	10434	GREASE ZERK, 1/8 NPT ST.	1

**SCX WING, 16' WIDE, 6" SPACING  
14845**



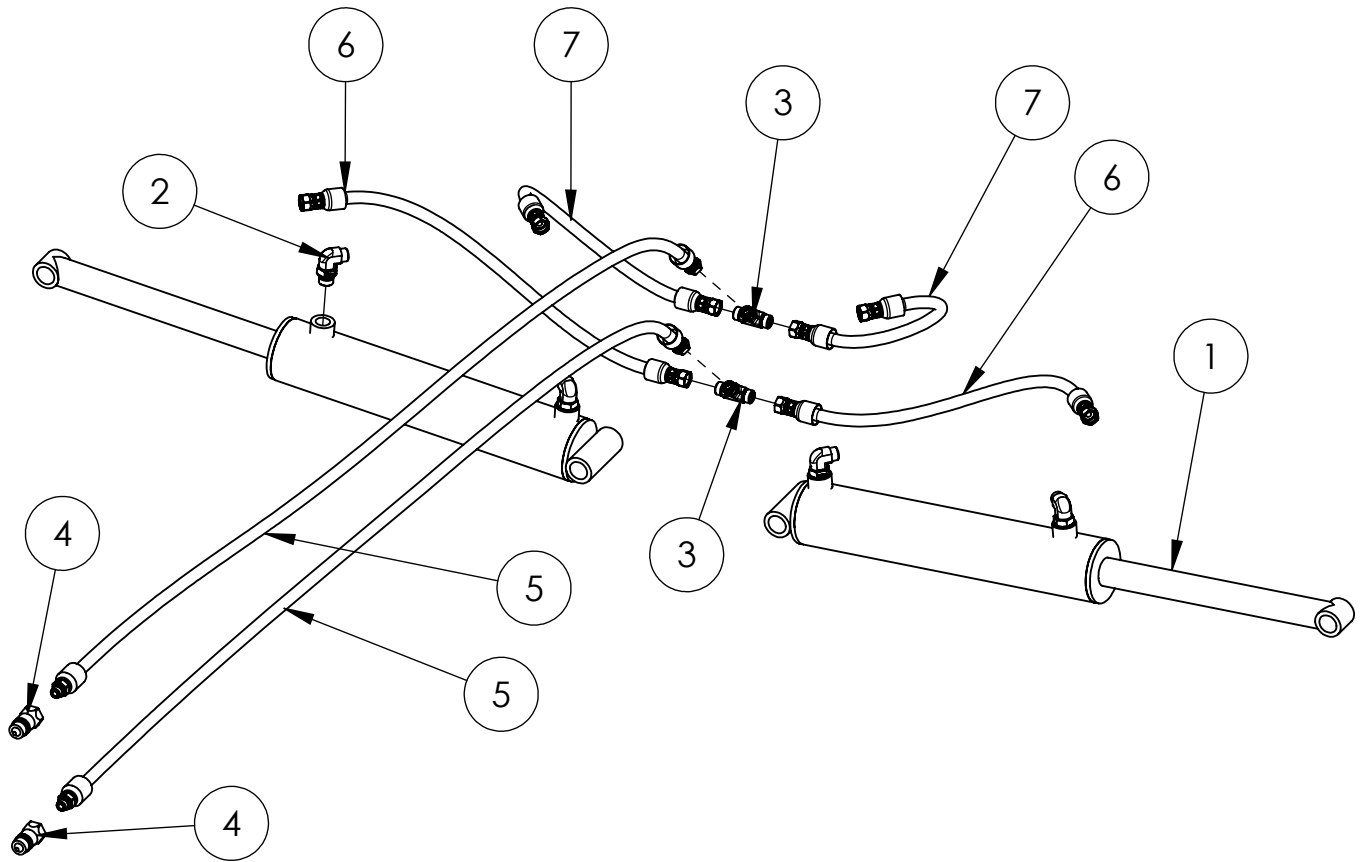
ITEM NO.	PART NUMBER	DESCRIPTION	QTY
1	12194	CRIMPER WING, 16'	1
2	15373	SCX BLADE ASSY, 2 BOLT	9
3	12235	PIVOT PIN	2
4	12723	PIN, 1 X 4.75	4
5	12230	PIVOT BRACKET, FRONT	1
6	12198	CYLINDER MOUNT BRACKET	1
7	12164	PIVOT BRACKET, REAR	1
8	12724	WING STOP BRACKET	1
9	10679	WASHER, 1" SAE GR8 ZY	1
10	10123	LINCH PIN, 7/16	4
11	10886	BOLT, 5/8-11 X 2.0 GR8 ZY	8
12	10104	WASHER, 5/8 GR8 ZY	28
13	11122	NUT, 5/8-11 SLTL GR8 ZY	14
14	10394	BOLT, 1/2-13 X 1.50 GR8 ZY	2
15	10062	WASHER, 1/2 SAE GR8 ZY	4
16	10395	NUT, 1/2-13 GR8 HEX ZY	2
17	14820	BOLT, 5/8-11 X 6.5 GR8 ZY	6
18	14859	PLATE, COULTER MOUNT	3
19	15101	GREASE ZERK, 1/8" NPT, 90	1
20	10434	GREASE ZERK, 1/8 NPT ST.	1

**SCX WING, 16' WIDE, 8" SPACING  
14814**



ITEM NO.	PART NUMBER	DESCRIPTION	QTY
1	12194	CRIMPER WING, 16'	1
2	15373	SCX BLADE ASSY, 2 BOLT	7
3	12235	PIVOT PIN	2
4	12723	PIN, 1 X 4.75	4
5	12230	PIVOT BRACKET, FRONT	1
6	12198	CYLINDER MOUNT BRACKET	1
7	12164	PIVOT BRACKET, REAR	1
8	12724	WING STOP BRACKET	1
9	10679	WASHER, 1" SAE GR8 ZY	1
10	10123	LINCH PIN, 7/16	4
11	10886	BOLT, 5/8-11 X 2.0 GR8 ZY	8
12	10104	WASHER, 5/8 GR8 ZY	28
13	11122	NUT, 5/8-11 SLTL GR8 ZY	14
14	10062	WASHER, 1/2 SAE GR8 ZY	4
15	10395	NUT, 1/2-13 GR8 HEX ZY	2
16	10394	BOLT, 1/2-13 X 1.50 GR8 ZY	2
17	14820	BOLT, 5/8-11 X 6.5 GR8 ZY	6
18	14859	PLATE, COULTER MOUNT	3
19	15101	GREASE ZERK, 1/8" NPT, 90	1
20	10434	GREASE ZERK, 1/8 NPT ST.	1

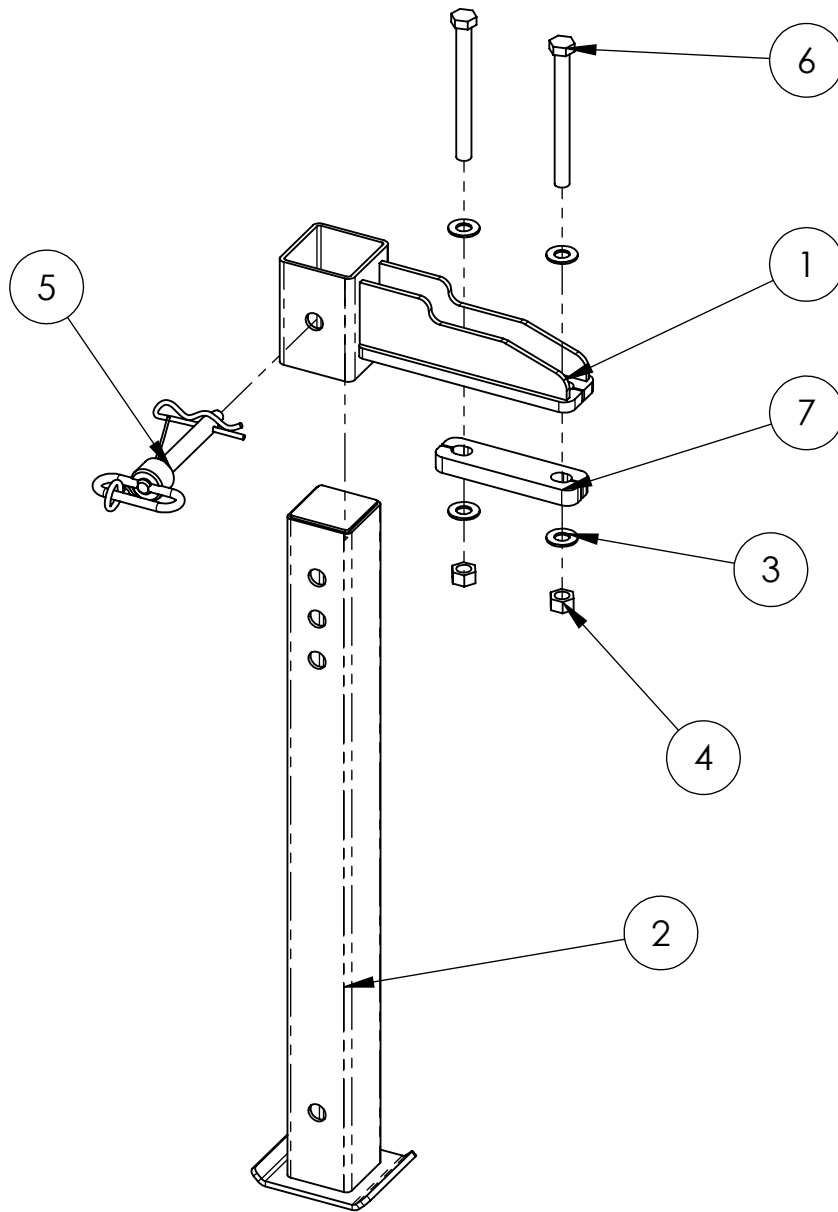
## HYDRAULICS WING ASSEMBLY 14908



ITEM NO.	PART NUMBER	DESCRIPTION	QTY
1	14847	HYD CYL, 3 X 12 X 1.5	2
2	13533	HYD FITTING, 6 ORFS X 8 ORB 90	4
3	13534	HYD FITING, 6MFFOR UNION TEE	2
4	10540	AG QUICK COUPLER, 8 F ORB	2
5	13652*	HYD HOSE, 3/8" X 74", ST-ST	2
6	13653	HYD HOSE, 3/8" X 22", ST-ST	2
7	13654	HYD HOSE, 3/8" X 18", ST-ST	2

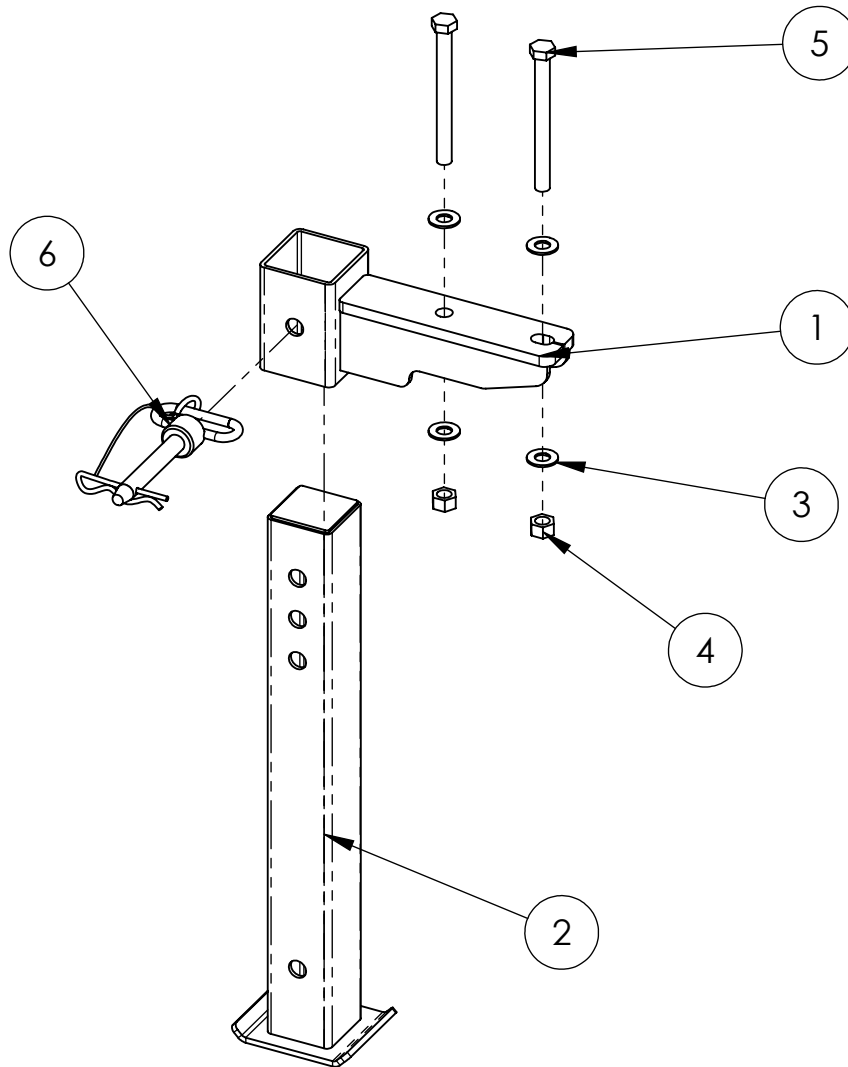
\* USE PART # 13532 FOR STRAW CRIMPER WITH WHEELS

## LEG ASSEMBLY 14853



ITEM NO.	PART NUMBER	DESCRIPTION	QTY.
1	14854	LEG MOUNT BRACKET	1
2	14852	LEG, STRAW CRIMPER	1
3	10104	WASHER, 5/8 GR8 ZY	4
4	11122	NUT, 5/8-11 SLTL GR8 ZY	2
5	12077	HITCHPIN, W/LANYARD, 3/4" X 4"	1
6	14820	BOLT, 5/8-11 X 6.5 GR8 ZY	2
7	14859	PLATE, COULTER MOUNT	1

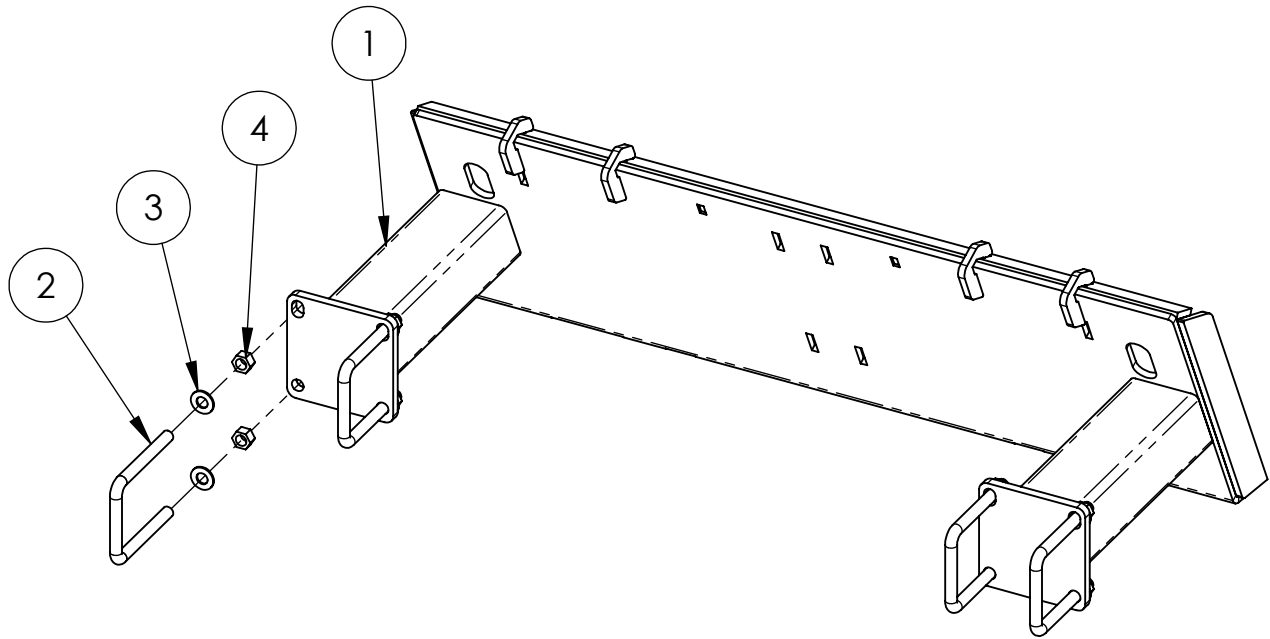
**LEG ASSEMBLY, FRONT  
14817**



ITEM NO.	PART NUMBER	DESCRIPTION	QTY.
1	14854	LEG MOUNT BRACKET	1
2	14863	LEG, STRAW CRIMPER	1
3	10104	WASHER, 5/8 GR8 ZY	4
4	11122	NUT, 5/8-11 SLTL GR8 ZY	2
5	14820	BOLT, 5/8-11 X 6.5 GR8 ZY	2
6	12077	HITCHPIN, W/LANYARD, 3/4" X 4"	1

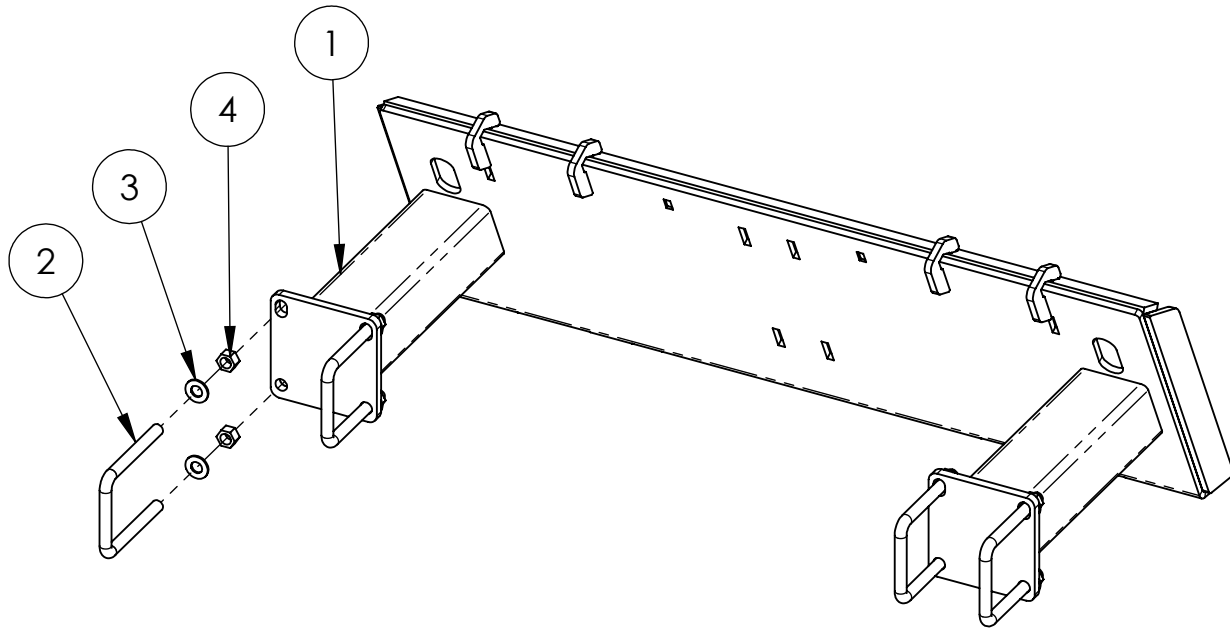


**SKID STEER MOUNT  
FOR 8" SPACED DISCS  
14782**



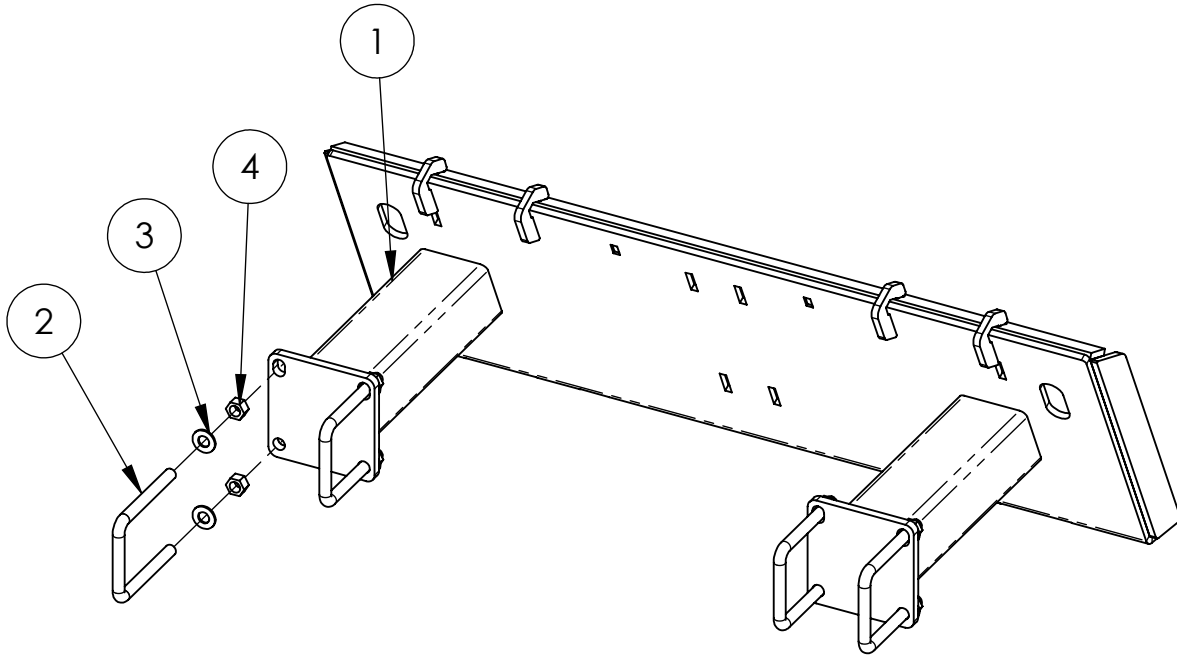
ITEM NO.	PART NUMBER	DESCRIPTION	QTY.
1	12581	SKID STEER MOUNT, SCX 8"	1
2	11370	U-BOLT, 5/8 X 4 X 5.5	4
3	10104	WASHER, 5/8 GR8 ZY	8
4	11122	NUT, 5/8-11 SLTL GR8 ZY	8

**SKID STEER MOUNT  
FOR 6" SPACED DISCS  
14783**



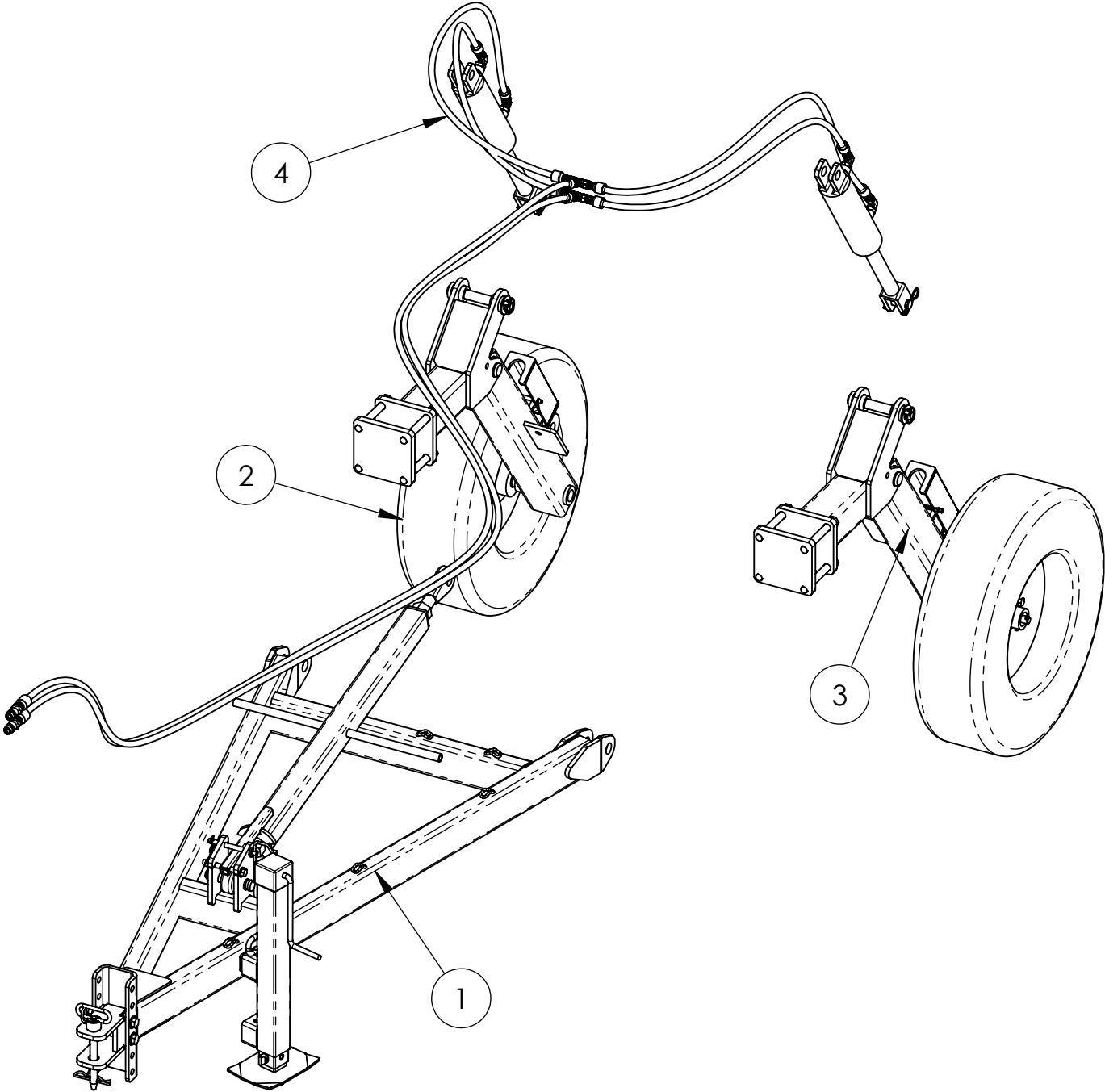
ITEM NO.	PART NUMBER	DESCRIPTION	QTY.
1	13505	SKID STEER MOUNT, SCX 6"	1
2	11370	U-BOLT, 5/8 X 4 X 5.5	4
3	10104	WASHER, 5/8 GR8 ZY	8
4	11122	NUT, 5/8-11 SLTL GR8 ZY	8

**SKID STEER MOUNT  
FOR SCX PART # 12006 AND 11297  
14784**



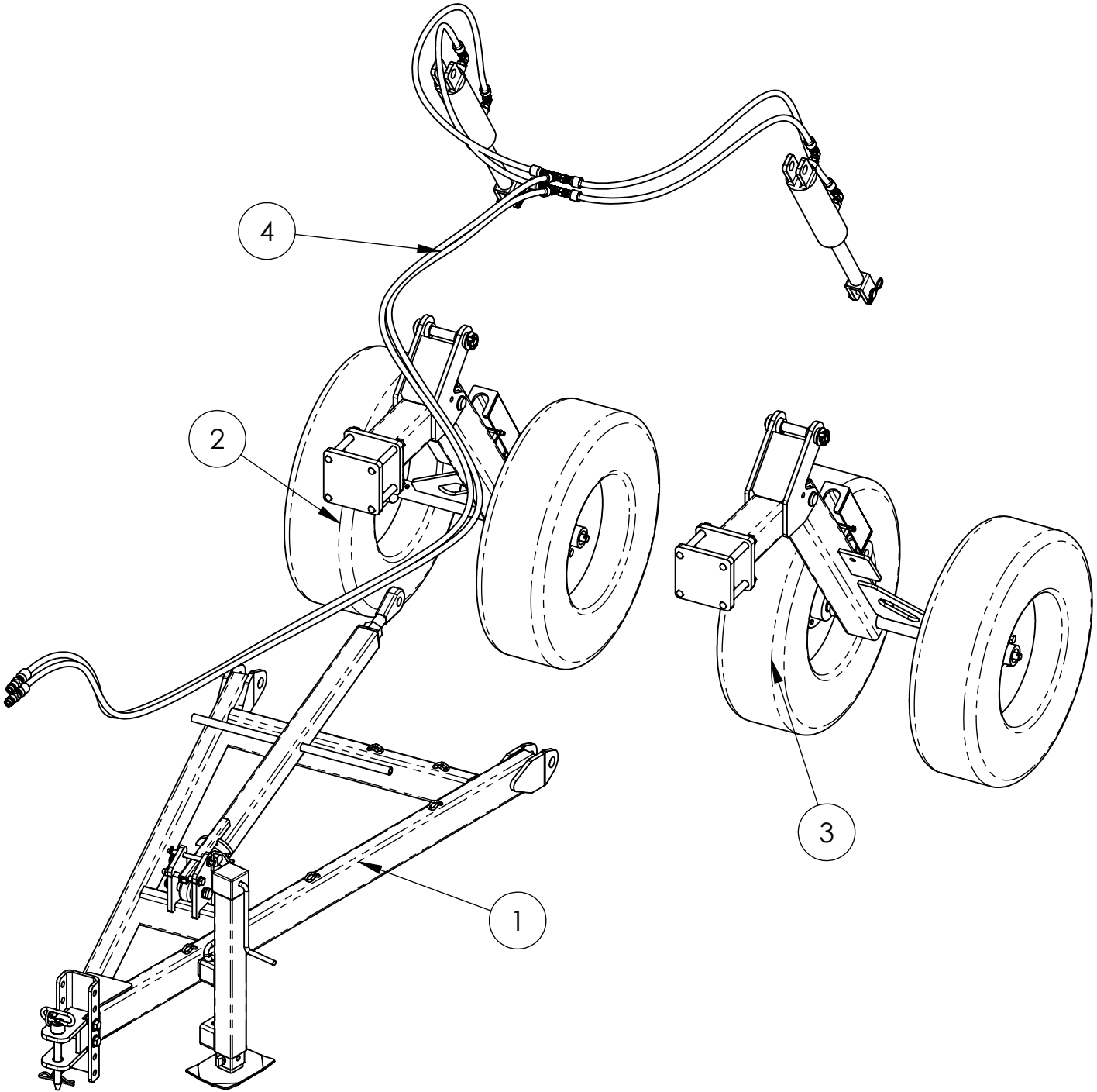
ITEM NO.	PART NUMBER	DESCRIPTION	QTY.
1	13911	SKID MOUNT, SCX OFFSET	1
2	11370	U-BOLT, 5/8 X 4 X 5.5	4
3	10104	WASHER, 5/8 GR8 ZY	8
4	11122	NUT, 5/8-11 SLTL GR8 ZY	8

# TONGUE AND WHEEL KIT 14849



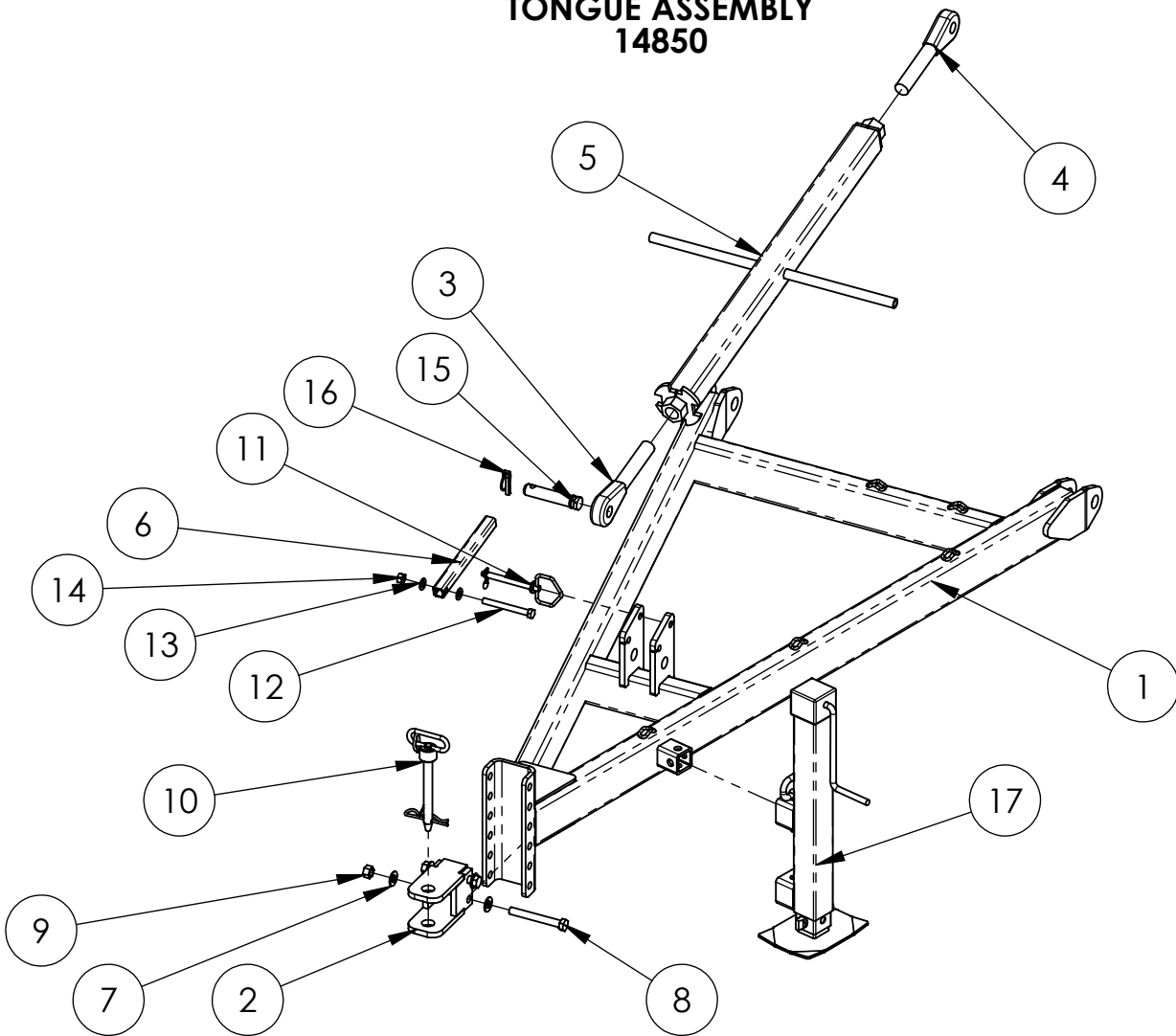
ITEM NO.	PART NUMBER	DESCRIPTION	QTY
1	14850	TONGUE AND HITCH ASSY	1
2	14786	WHEEL ASSY RIGHT	1
3	14848	WHEEL ASSY LEFT	1
4	14909	HYD ASSY, SCX WHEEL KIT	1

# TONGUE AND WHEEL KIT 15098



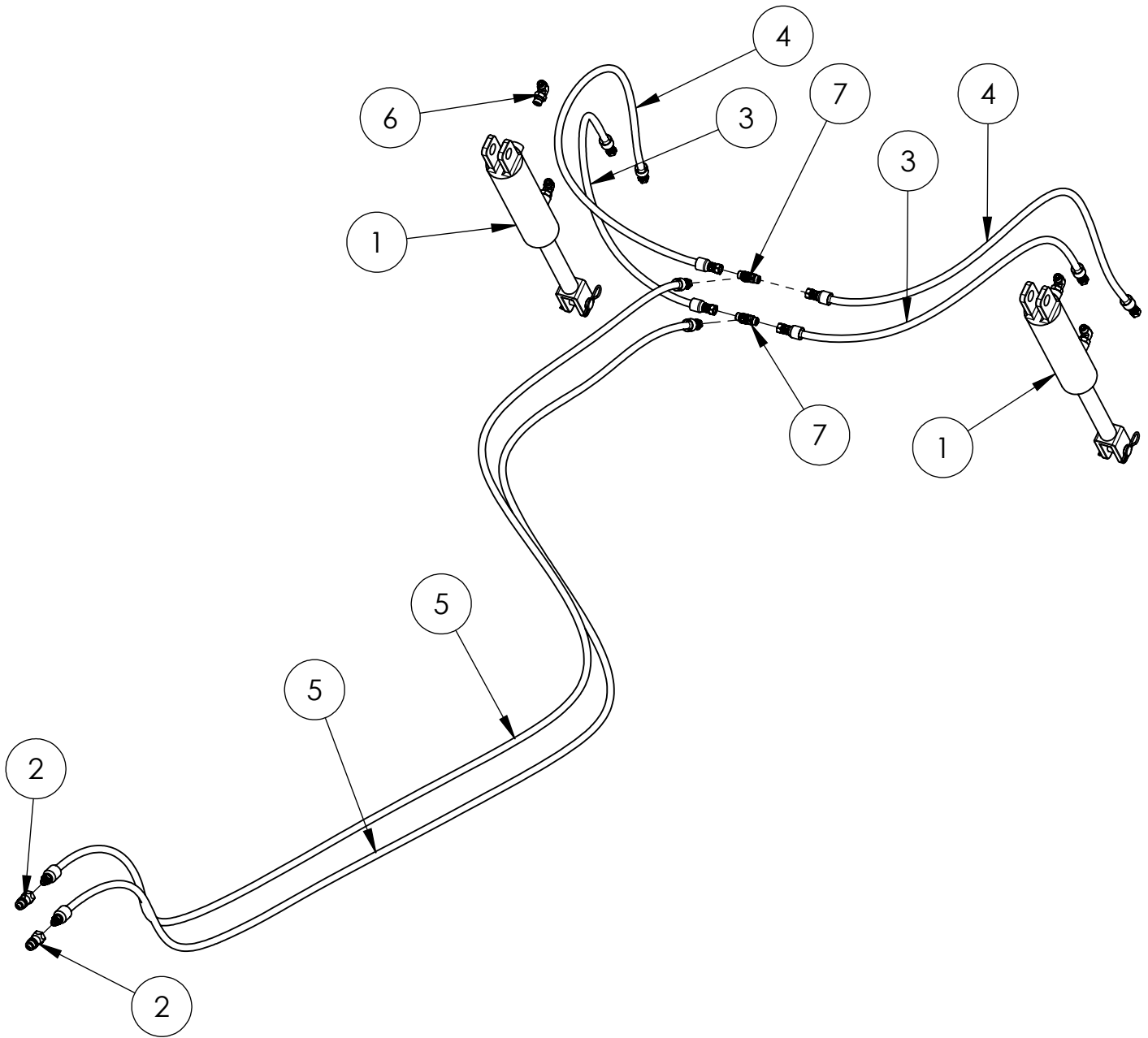
ITEM NO.	PART NUMBER	DESCRIPTION	QTY
1	14850	TONGUE AND HITCH ASSY	1
2	15099	DOUBLE WHEEL ASSY RIGHT	1
3	15097	DOUBLE WHEEL ASSY LEFT	1
4	14909	HYD ASSY, SCX WHEEL KIT	1

## TONGUE ASSEMBLY 14850



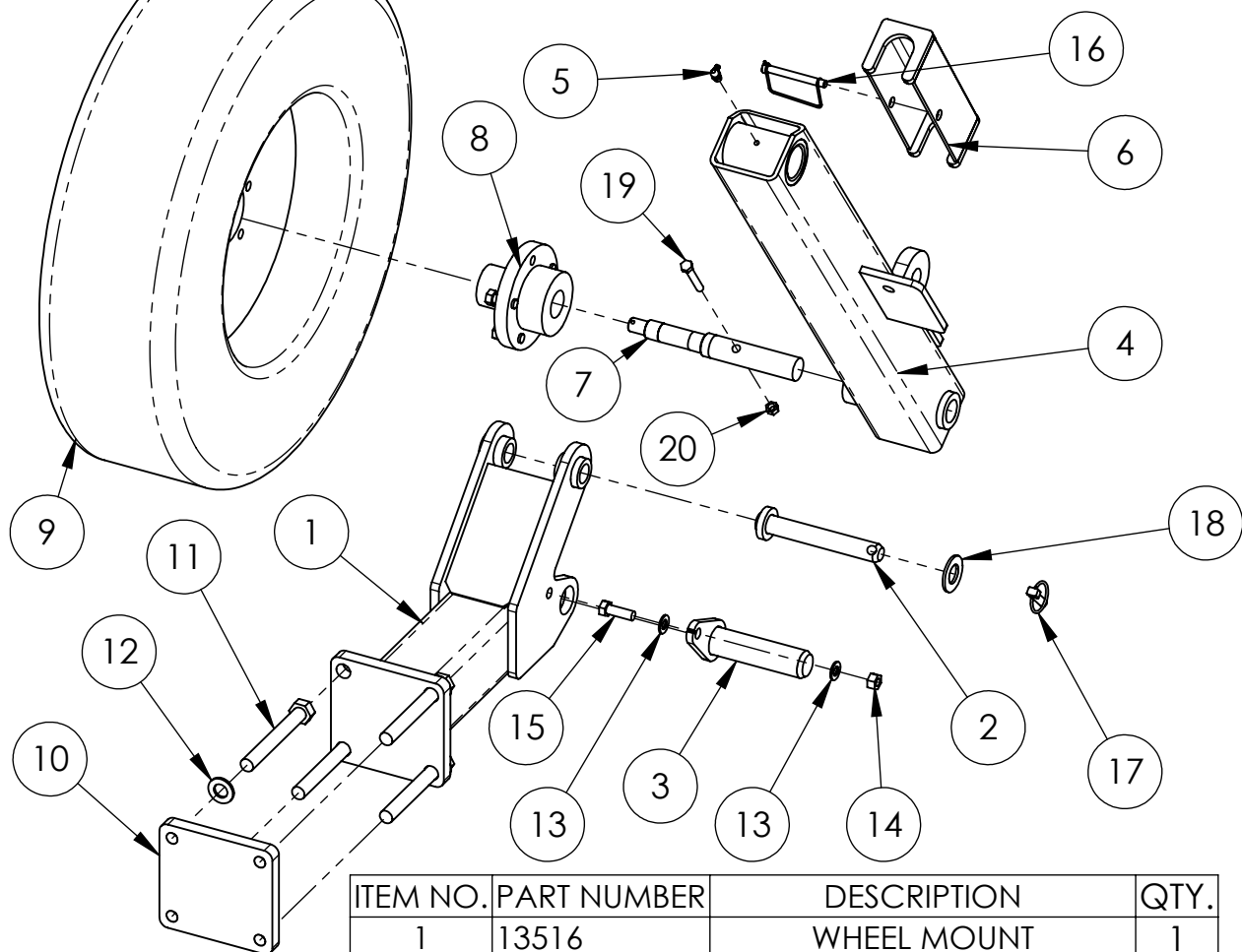
ITEM NO.	PART NUMBER	DESCRIPTION	QTY.
1	12935	HITCH, SCX PULL	1
2	12938	HITCH, DRAWBAR	1
3	12940	TOP LINK END, RH	1
4	12941	TOP LINK END, LH	1
5	12946	HITCH TOP LINK	1
6	12950	TUBE, TOP LINK LOCK	1
7	10104	WASHER, 5/8 GR8 ZY	4
8	13579	BOLT, 5/8-11 X 5.0 GR8 ZY	2
9	11968	NUT, 5/8-11 GR8 ZY	2
10	12078	HITCHPIN W/ LANYARD 3/4 X 6 1/2	1
11	11171	PIN - 1/2 X 4 1/4 HITCH	1
12	11127	BOLT - 1/2-13 X 4.50 GR8 ZY	1
13	10062	WASHER, 1/2 SAE GR8 ZY	2
14	10395	NUT, 1/2-13 GR8 HEX ZY	1
15	10121	PIN - CAT II TOP, 3 POINT	1
16	10123	LINCH PIN, 7/16	1
17	14456	JACK, 8K SIDE WIND MOUNT	1

**HYDRAULICS  
WHEEL ASSEMBLY  
14909**



ITEM NO.	PART NUMBER	DESCRIPTION	QTY.
1	13076	HYD CYL, 3 X 8 ASAE	2
2	10540	AG QUICK COUPLER, 8 F ORB	2
3	13530	HYD HOSE, 3/8" X 36", 6 ORFS ST	2
4	13531	HYD HOSE, 3/8" X 48", 6 ORFS ST	2
5	13532	HYD HOSE, 3/8" X 177", 6 ORFS X 8 ORB	2
6	13533	HYD FITTING, 6 ORFS X 8 ORB 90	4
7	13534	HYD FITING, 6MFFOR UNION TEE	2

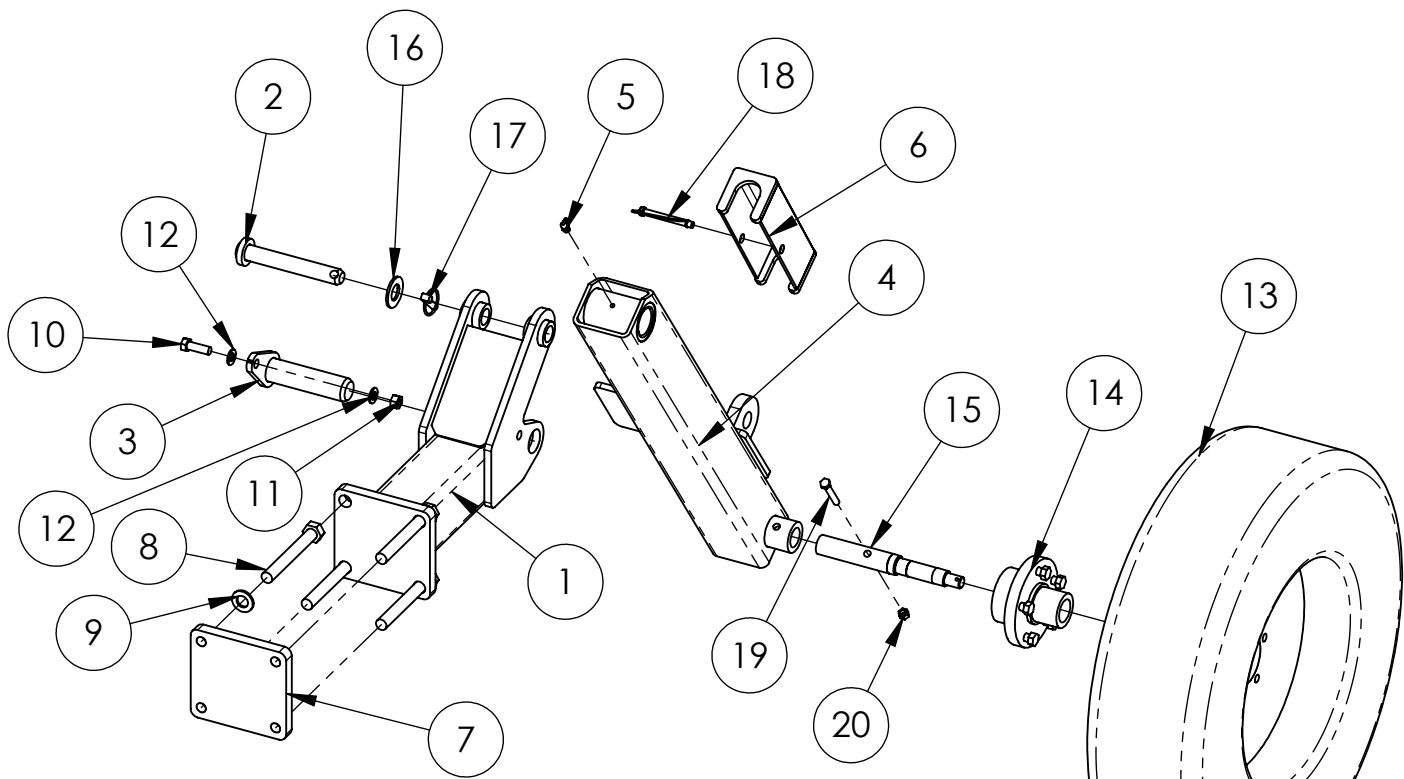
## WHEEL ASSEMBLY, RIGHT 14786



ITEM NO.	PART NUMBER	DESCRIPTION	QTY.
1	13516	WHEEL MOUNT	1
2	13080	PIN, 1" X 6"	1
3	13078	PIVOT PIN, 1.5 X 5.5	1
4	12961	WHEEL MOUNT, RIGHT	1
5	15101	GREASE ZERK, 1/8" NPT, 90	1
6	13522	BRACKET, CYL STOP, 8 ASAE	1
7	15026	SPINDLE, 5 BOLT, 4.5" HUB	1
8	12301	WHEEL HUB ASSY, 5-BOLT	1
9	15102	TIRE, 7.60-15SL, 28.5" OD	1
10	13518	PLATE, WHEEL BOLT	1
11	13517	BOLT, 3/4-10 X 6.0 GR8 ZY	4
12	10107	WASHER, 3/4 GR8 ZY	4
13	10062	WASHER, 1/2 SAE GR8 ZY	2
14	10395	NUT, 1/2-13 GR8 HEX ZY	1
15	10394	BOLT, 1/2-13 X 1.50 GR8 ZY	1
16	10122	PTO PIN - 3/8 X 3.00	1
17	10123	LINCH PIN, 7/16	1
18	10679	WASHER, 1" SAE GR8 ZY	1
19	10690	BOLT, 3/8-16 X 2.5 GR8 ZY	1
20	10947	NUT, 3/8-16 SLTL GR8 ZY	1

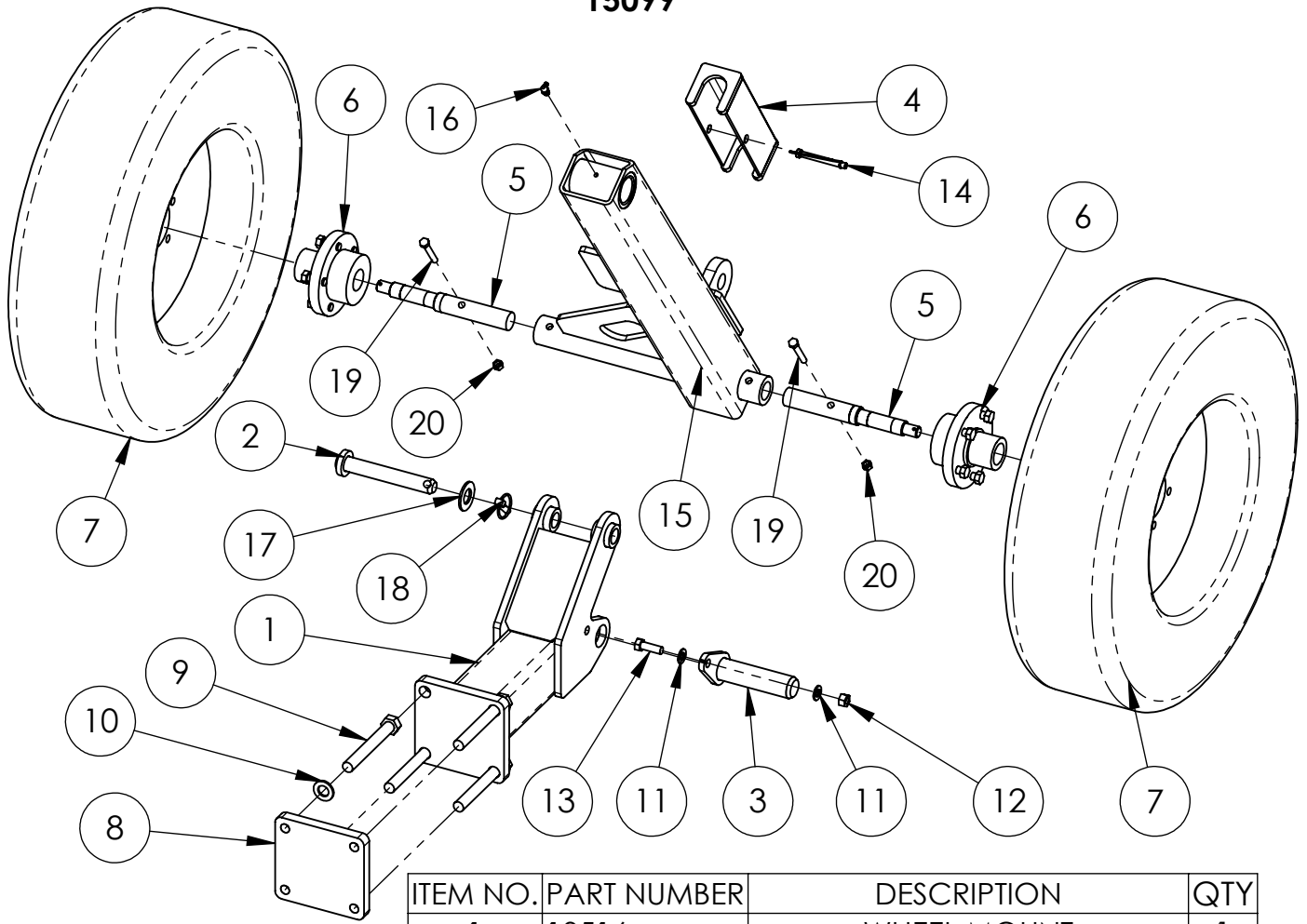


## WHEEL ASSEMBLY, LEFT 14848



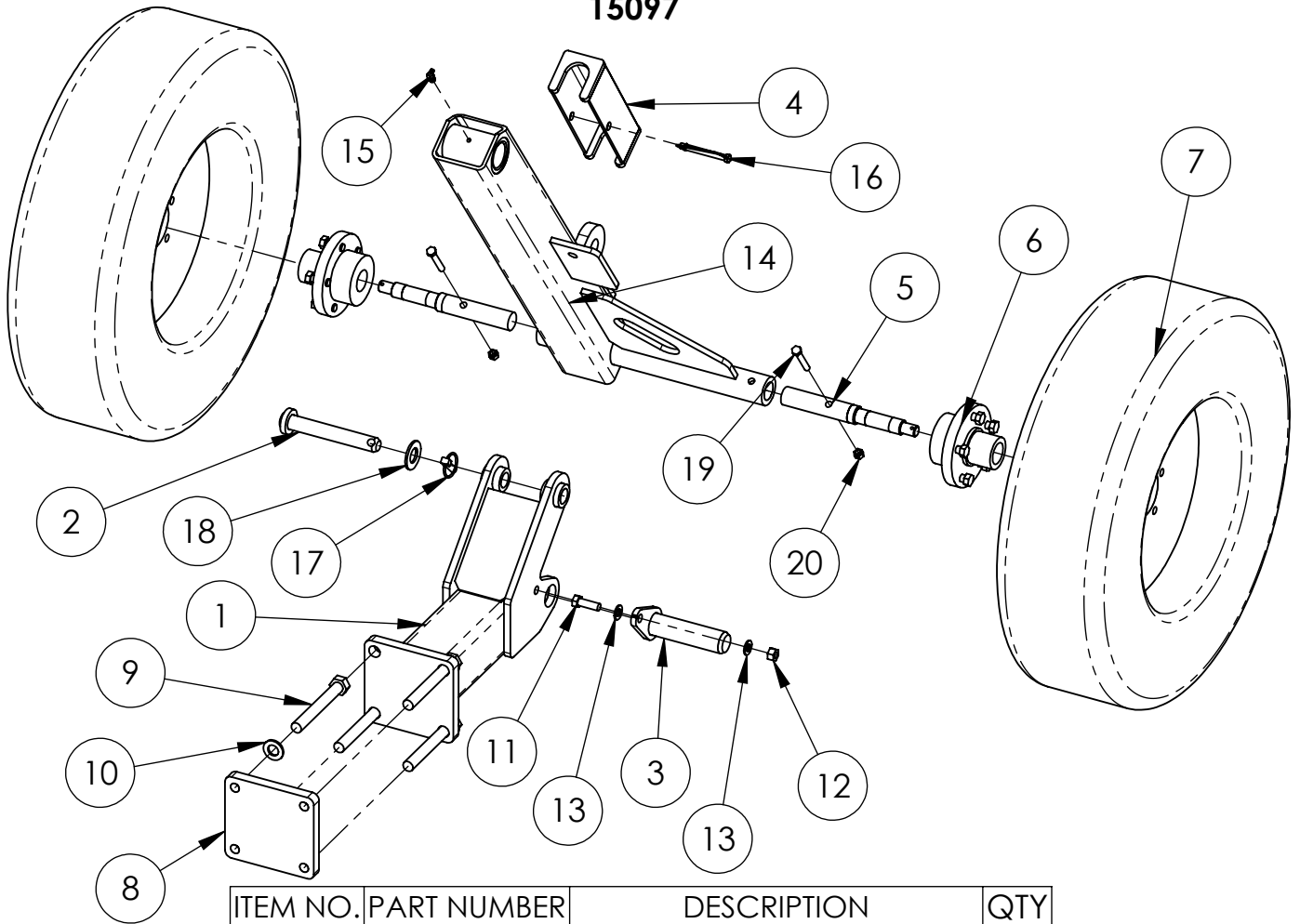
ITEM NO.	PART NUMBER	DESCRIPTION	QTY.
1	13516	WHEEL MOUNT	1
2	13080	PIN, 1" X 6"	1
3	13078	PIVOT PIN, 1.5 X 5.5	1
4	12966	WHEEL MOUNT, LEFT	1
5	15101	GREASE ZERK, 1/8" NPT, 90	1
6	13522	BRACKET, CYL STOP, 8 ASAE	1
7	13518	PLATE, WHEEL BOLT	1
8	13517	BOLT, 3/4-10 X 6.0 GR8 ZY	4
9	10107	WASHER, 3/4 GR8 ZY	4
10	10394	BOLT, 1/2-13 X 1.50 GR8 ZY	1
11	10395	NUT, 1/2-13 GR8 HEX ZY	1
12	10062	WASHER, 1/2 SAE GR8 ZY	2
13	15102	TIRE, 7.60-15SL, 28.5" OD	1
14	12301	WHEEL HUB ASSY, 5-BOLT	1
15	15026	SPINDLE, 5 BOLT, 4.5" HUB	1
16	10679	WASHER, 1" SAE GR8 ZY	1
17	10123	LINCH PIN, 7/16	1
18	10122	PTO PIN - 3/8 X 3.00	1
19	10690	BOLT, 3/8-16 X 2.5 GR8 ZY	1
20	10947	NUT, 3/8-16 SLTL GR8 ZY	1

## DOUBLE WHEEL ASSEMBLY, RIGHT 15099



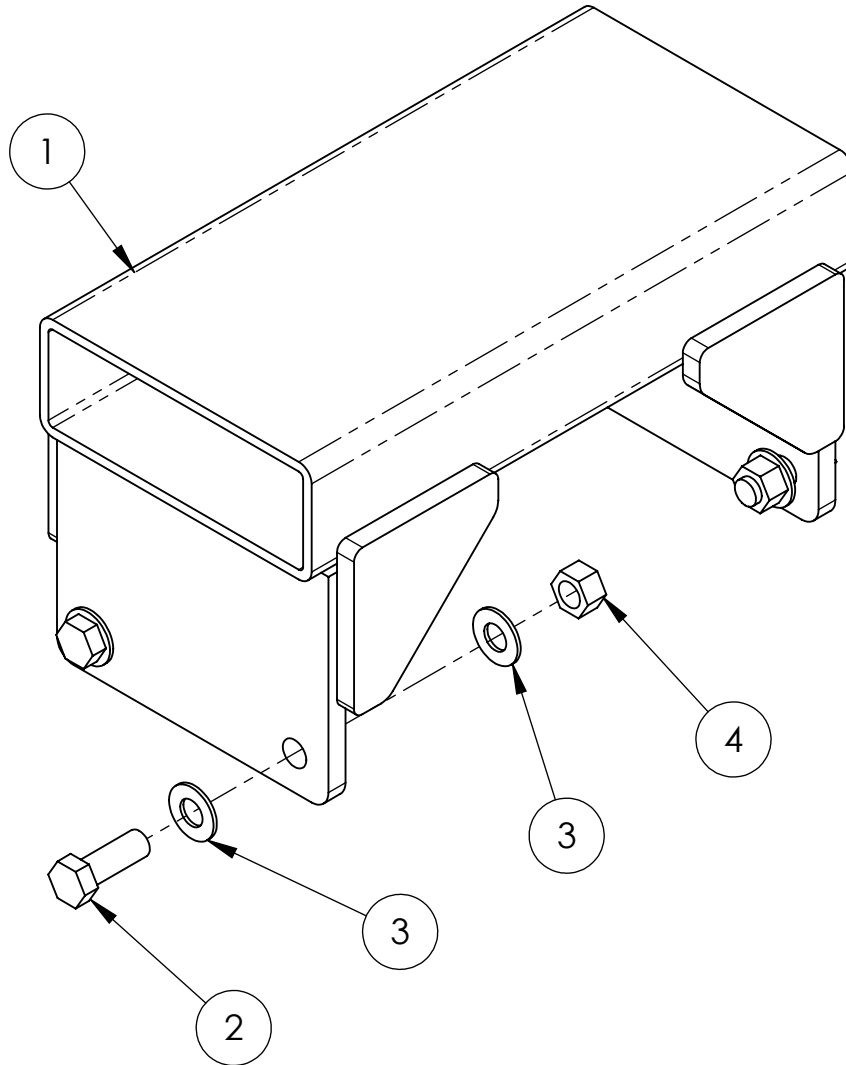
ITEM NO.	PART NUMBER	DESCRIPTION	QTY
1	13516	WHEEL MOUNT	1
2	13080	PIN, 1" X 6"	1
3	13078	PIVOT PIN, 1.5 X 5.5	1
4	13522	BRACKET, CYL STOP, 8 ASAE	1
5	15026	SPINDLE, 5 BOLT, 4.5" HUB	2
6	12301	WHEEL HUB ASSY, 5-BOLT	2
7	15102	TIRE, 7.60-15SL, 28.5" OD	2
8	13518	PLATE, WHEEL BOLT	1
9	13517	BOLT, 3/4-10 X 6.0 GR8 ZY	4
10	10107	WASHER, 3/4 GR8 ZY	4
11	10062	WASHER, 1/2 SAE GR8 ZY	2
12	10395	NUT, 1/2-13 GR8 HEX ZY	1
13	10394	BOLT, 1/2-13 X 1.50 GR8 ZY	1
14	10122	PTO PIN - 3/8 X 3.00	1
15	14921	WHEEL MOUNT, RIGHT DOUBLE	1
16	15101	GREASE ZERK, 1/8" NPT, 90	1
17	10679	WASHER, 1" SAE GR8 ZY	1
18	10123	LINCH PIN, 7/16	1
19	10690	BOLT, 3/8-16 X 2.5 GR8 ZY	2
20	10947	NUT, 3/8-16 SLTL GR8 ZY	2

## DOUBLE WHEEL ASSEMBLY, LEFT 15097



ITEM NO.	PART NUMBER	DESCRIPTION	QTY
1	13516	WHEEL MOUNT	1
2	13080	PIN, 1" X 6"	1
3	13078	PIVOT PIN, 1.5 X 5.5	1
4	13522	BRACKET, CYL STOP, 8 ASAE	1
5	15026	SPINDLE, 5 BOLT, 4.5" HUB	2
6	12301	WHEEL HUB ASSY, 5-BOLT	2
7	15102	TIRE, 7.60-15SL, 28.5" OD	2
8	13518	PLATE, WHEEL BOLT	1
9	13517	BOLT, 3/4-10 X 6.0 GR8 ZY	4
10	10107	WASHER, 3/4 GR8 ZY	4
11	10394	BOLT, 1/2-13 X 1.50 GR8 ZY	1
12	10395	NUT, 1/2-13 GR8 HEX ZY	1
13	10062	WASHER, 1/2 SAE GR8 ZY	2
14	14920	WHEEL MOUNT, LEFT DOUBLE	1
15	15101	GREASE ZERK, 1/8" NPT, 90	1
16	10122	PTO PIN - 3/8 X 3.00	1
17	10123	LINCH PIN, 7/16	1
18	10679	WASHER, 1" SAE GR8 ZY	1
19	10690	BOLT, 3/8-16 X 2.5 GR8 ZY	2
20	10947	NUT, 3/8-16 SLTL GR8 ZY	2

# FORK POCKET, SCX 17984



ITEM NO.	PART NUMBER	DESCRIPTION	QTY.
1	17985	FORK POCKET, SCX	1
2	12258	BOLT, 5/8-11 X 1.75 GR8 ZY	4
3	10104	WASHER, 5/8 GR8 ZY	8
4	11122	NUT, 5/8-11 SLTL GR8 ZY	4