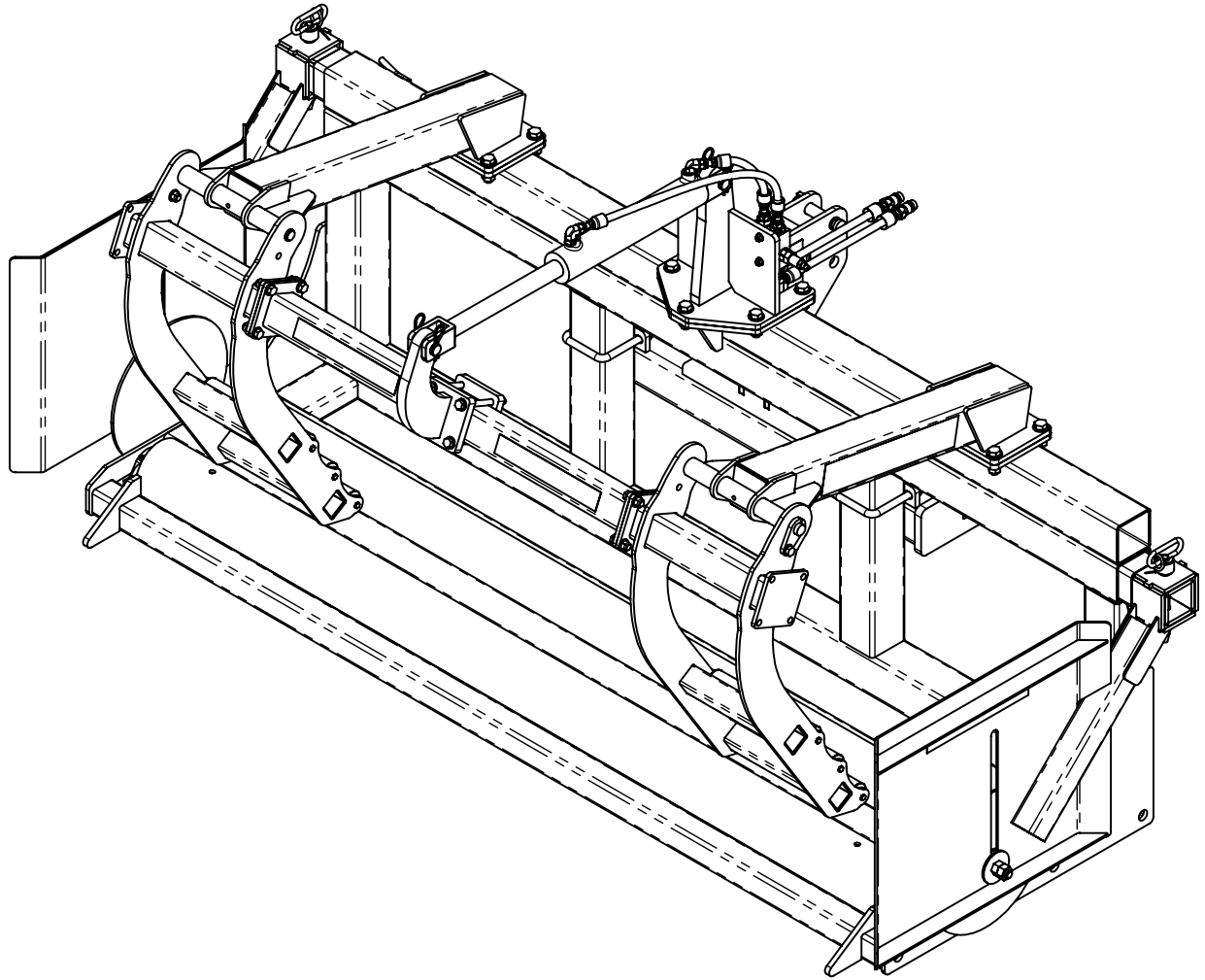


BURCHLAND

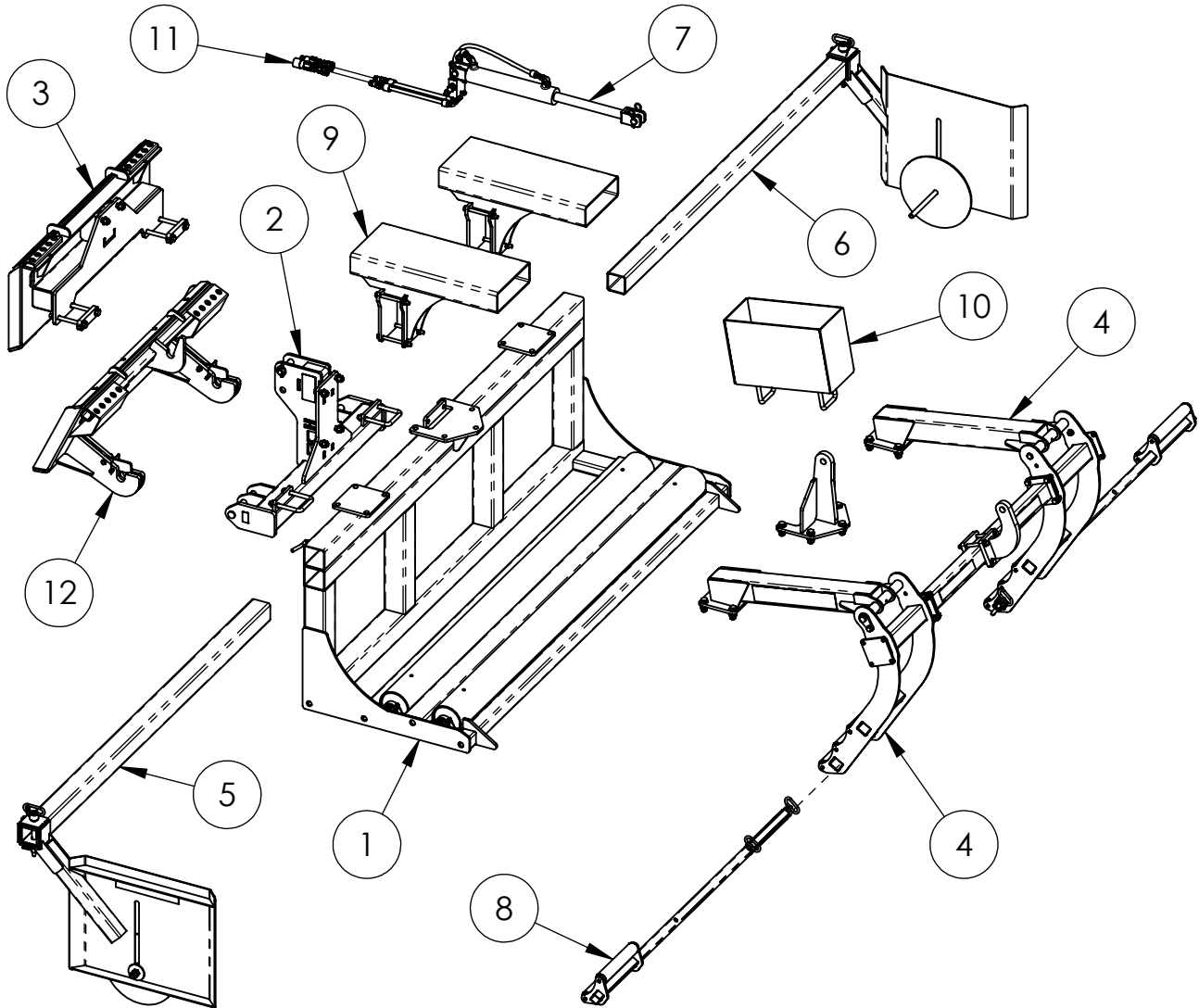
BR2

MATERIAL ROLLER



PARTS BOOK

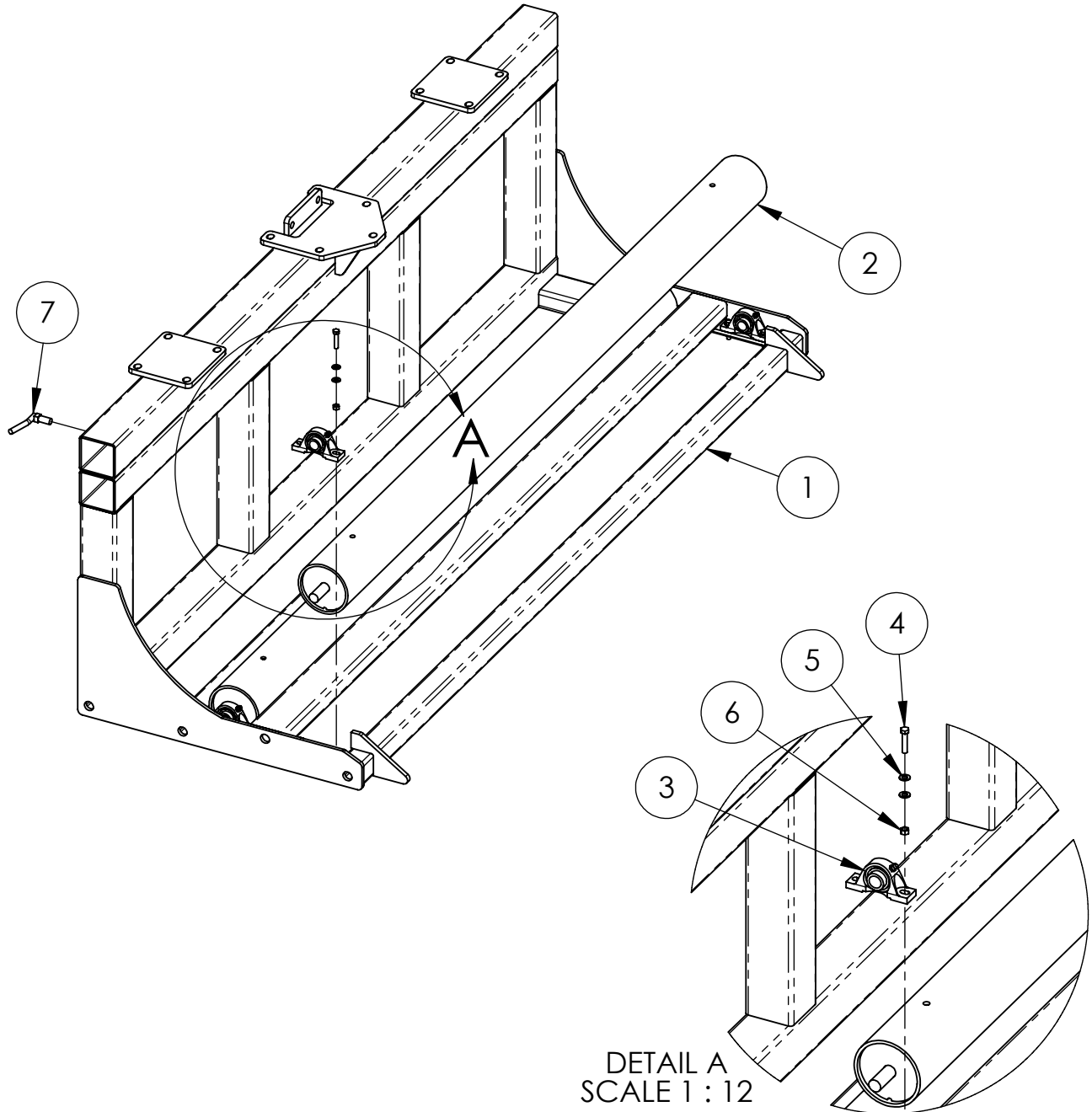
Blanket Roller - 14700, 15100



ITEM NO.	PART NUMBER	DESCRIPTION	QTY.
STANDARD PARTS			
1	14686	ROLLER FRAME, ROLLERS	1
2	14691	3 POINT HITCH ASSY	1
3	15052	SS ATTACH BR2 BOLT-ON ASSY	1
4	14692	ROLLER ARMS ASSY	1
5	14693	ROLL STOP ARM LEFT	1
6	14694	ROLL STOP ARM RIGHT	1
7	14695	HYD VALVE, HOSE ASSY	1
OPTIONAL PARTS			
8	14453	ROLL EXTENSION ASSY	2
9	15265	BR2 FORK POCKET ASSY	1
10	15111	STAPLE BOX ASSEMBLY	1
11	16514	PIONEER - SS ADAPTER KIT	1
12	10675	SKID STEER ADAPTER - CNH	1

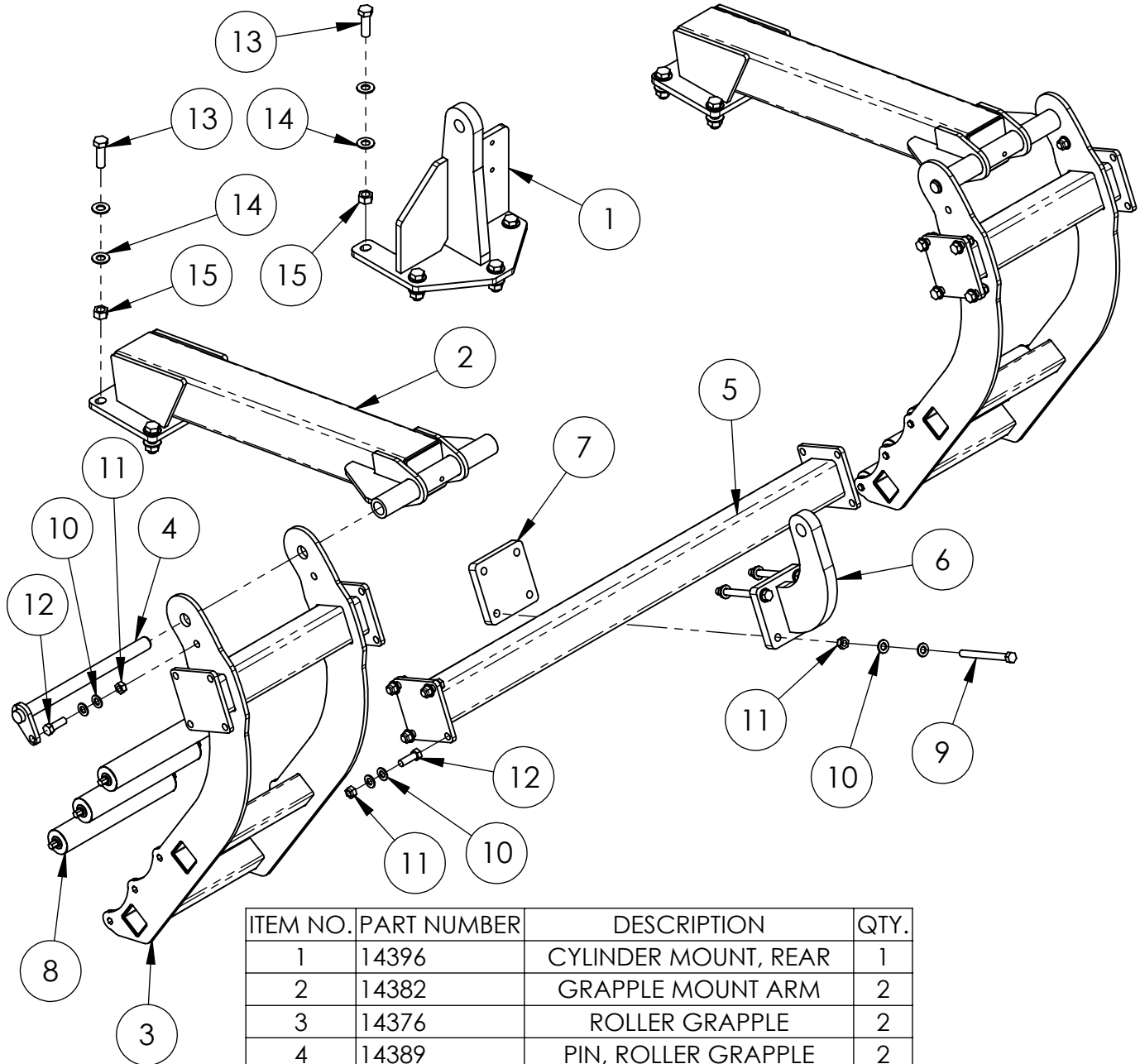
* TRACTOR HITCH
* SKID STEER HITCH

Rollers Frame Assembly - 14686



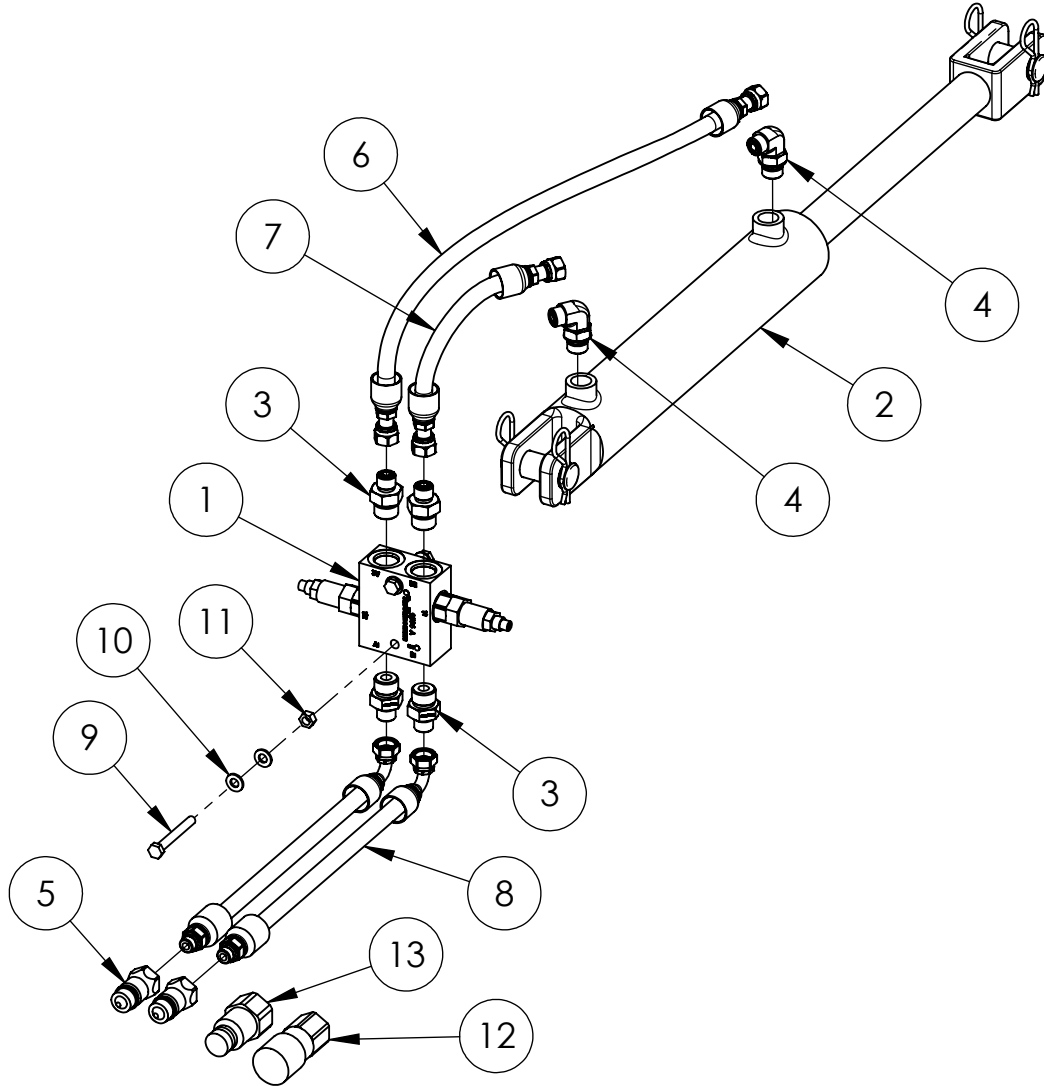
ITEM NO.	PART NUMBER	DESCRIPTION	QTY.
1	14360	FRAME, BLANKET ROLLER	1
2	14372	ROLLER, BLANKET	2
3	14388	PILLOW BLOCK BEARING 1" ID	4
4	10135	BOLT, 3/8-16 X 1.75 GR8 ZY	8
5	10110	WASHER, 3/8 SAE GR8 ZY	16
6	10109	NUT, 3/8-16 GR8 ZY	8
7	13898	LOCK HANDLE	2

Roller Arms Assembly - 14692



ITEM NO.	PART NUMBER	DESCRIPTION	QTY.
1	14396	CYLINDER MOUNT, REAR	1
2	14382	GRAPPLE MOUNT ARM	2
3	14376	ROLLER GRAPPLE	2
4	14389	PIN, ROLLER GRAPPLE	2
5	14391	GRAPPLE JOINT TUBE	1
6	14393	GRAPPLE CYLINDER MOUNT	1
7	14394	PLATE, BOLT	1
8	14402	ROLLER, 2 X 12	6
9	12524	BOLT, 1/2-13 X 5.5 GR8 ZY	4
10	10062	WASHER, 1/2 SAE GR8 ZY	28
11	10396	NUT, 1/2-13, SLTL GR8 ZY	14
12	10394	BOLT, 1/2-13 X 1.50 GR8 ZY	10
13	10886	BOLT, 5/8-11 X 2.0 GR8 ZY	13
14	10104	WASHER, 5/8 GR8 ZY	26
15	11122	NUT, 5/8-11 SLTL GR8 ZY	13

Hydraulics Assembly - 14695, 17095



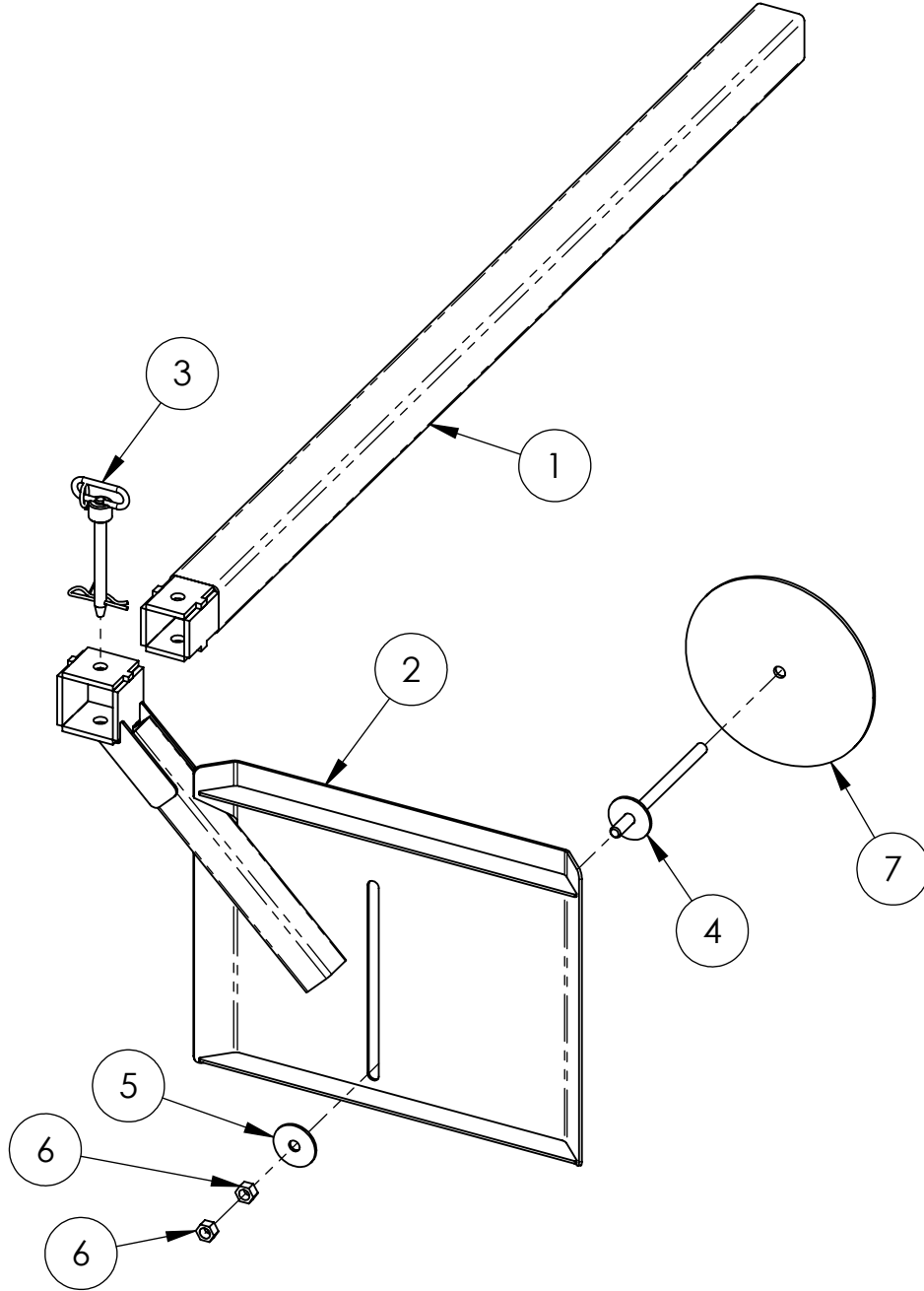
ITEM NO.	PART NUMBER	DESCRIPTION	QTY.
1	14452	VALVE, DOUBLE RELIEF	1
2	14682	HYD CYL, 2.5 X 12	1
3	14625	FITTING, 6M ORFS X 10M ORB ST	4
4	13533	FITTING, 6M ORFS X 8M ORB 90, RST	2
5	10540	AG QUICK COUPLER, 8 ORB F	2
6	14678	HYD HOSE, 3/8" X 26", ST-ST	1
7	14679	HYD HOSE, 3/8" X 14", ST-ST	1
8	14680	HYD HOSE, 3/8" X 60", ST-90	2
9	14696	BOLT, 5/16-18 X 2.5 GR8 ZY	2
10	14697	WASHER, 5/16 GR8 ZY	4
11	14698	NUT, 5/16-18 GR8 ZY	2
12	10691	COUPLER, FEMALE FLAT FACE	1
13	10692	COUPLER, MALE FLAT FACE	1

* TRACTOR HITCH

* SKID STEER HITCH

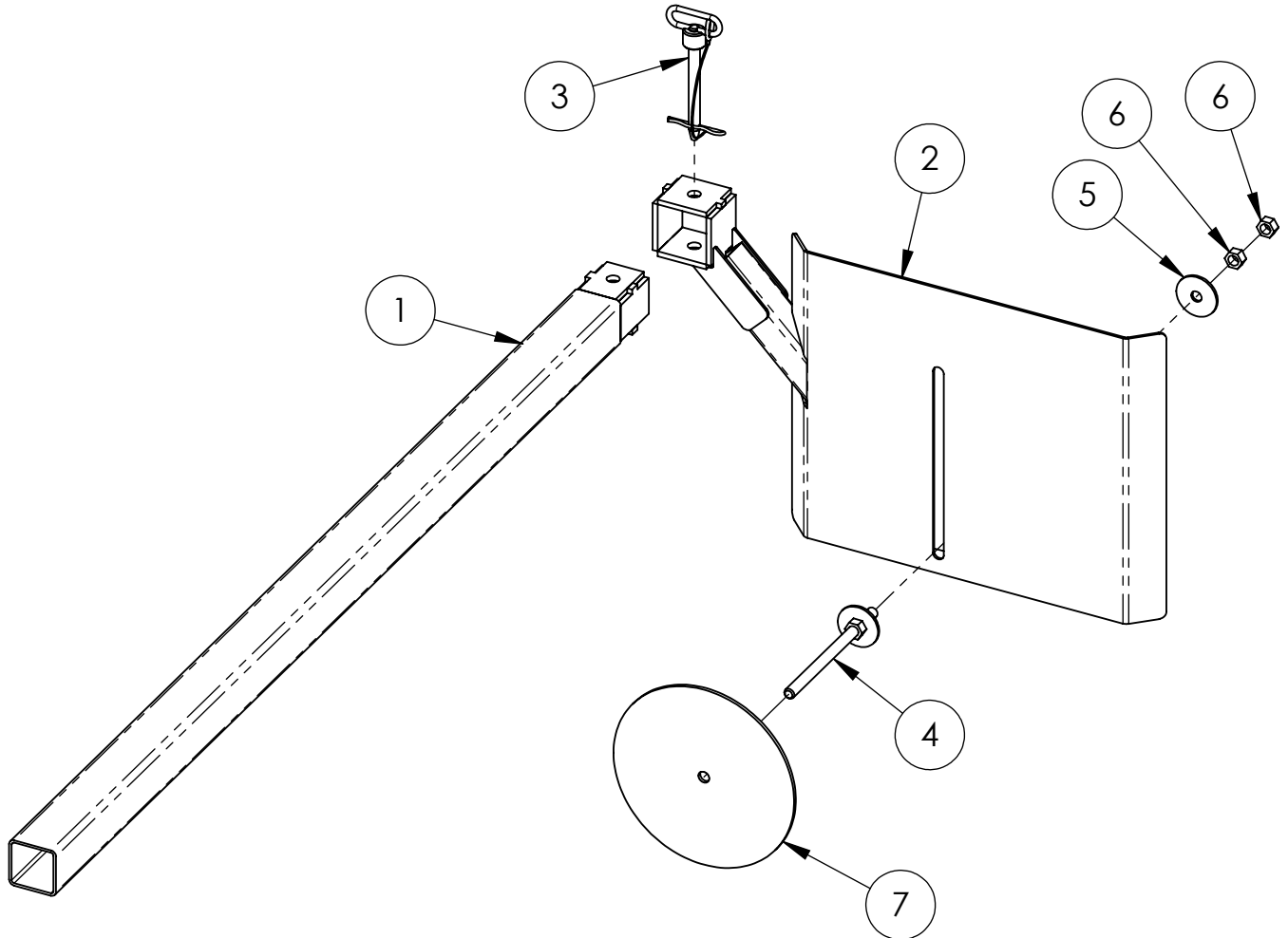
* SKID STEER HITCH

Roll Stop Arm, Left - 14693



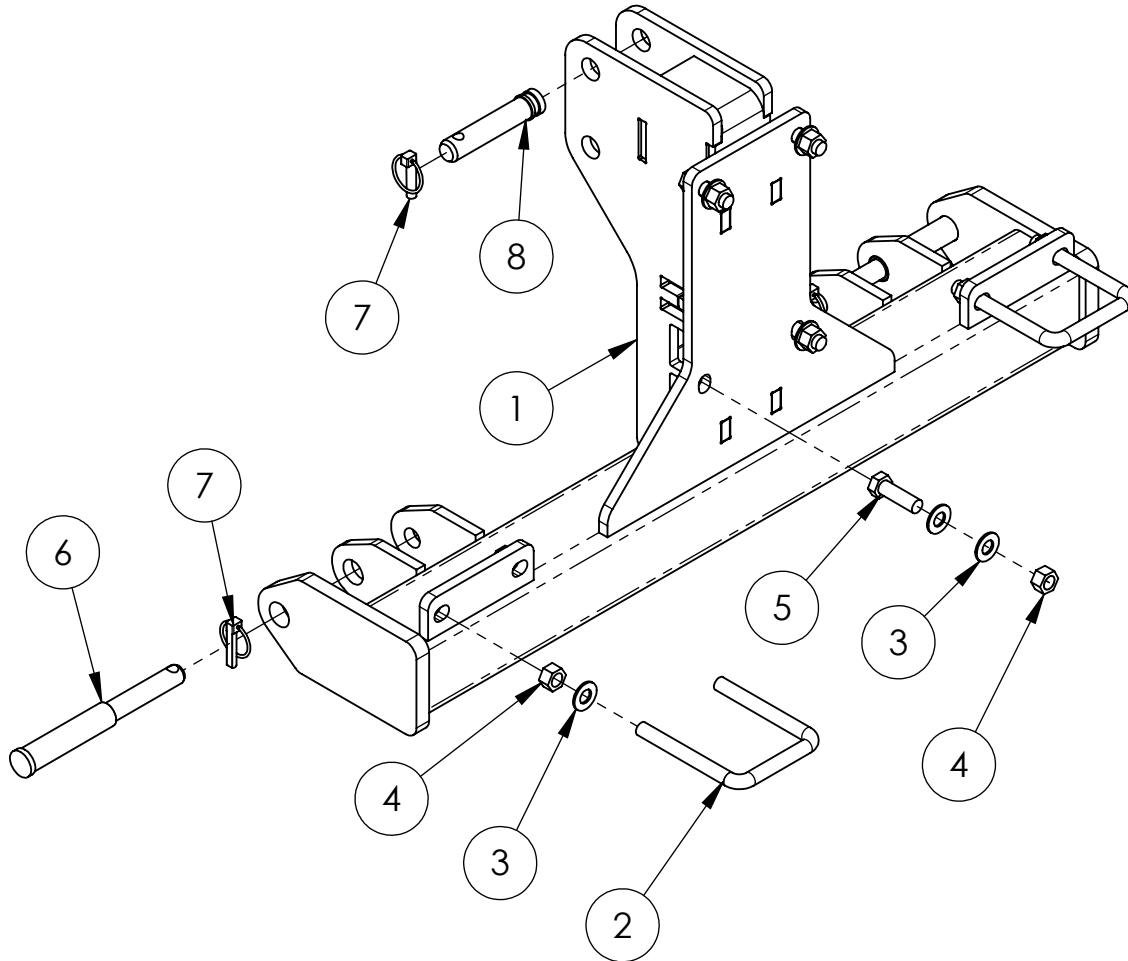
ITEM NO.	PART NUMBER	DESCRIPTION	QTY.
1	17485	ROLL KEEPER TUBE, HD	1
2	17486	ROLL STOP, LEFT, HD	1
3	12078	HITCHPIN W/ LANYARD 3/4 X 6 1/2	1
4	15392	STRAW ROLL PIN WELD	1
5	15394	PLATE, PIN WASHER	1
6	10106	NUT - 3/4-10 GR8 TL ZY	2
7	17479	PLATE, ROLL WEAR DISK	1

Roll Stop Arm, Right - 14694



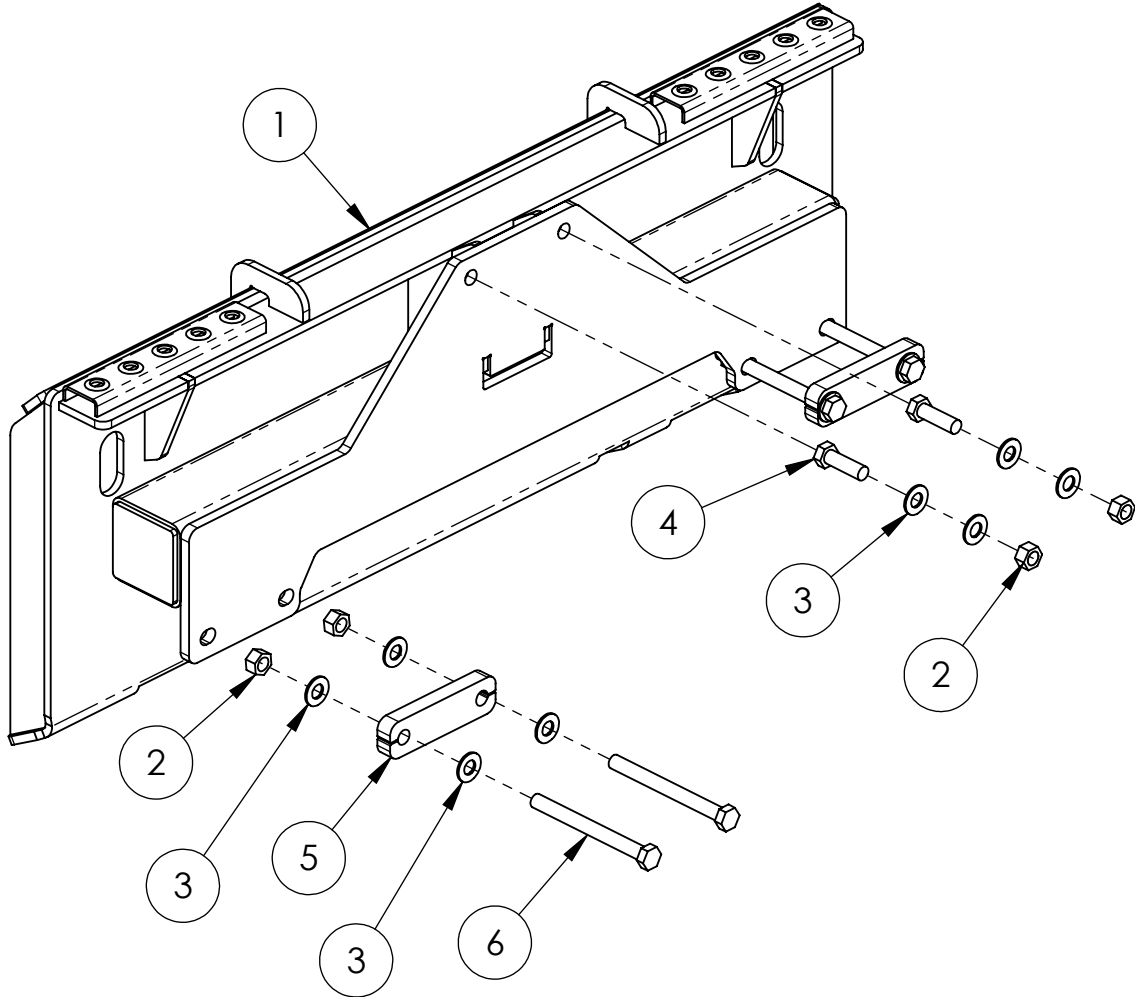
ITEM NO.	PART NUMBER	DESCRIPTION	QTY.
1	17485	ROLL KEEPER TUBE, HD	1
2	17487	ROLL STOP, RIGHT, HD	1
3	12078	HITCHPIN W/ LANYARD 3/4 X 6 1/2	1
4	15392	STRAW ROLL PIN WELD	1
5	15394	PLATE, PIN WASHER	1
6	10106	NUT - 3/4-10 GR8 TL ZY	2
7	17479	PLATE, ROLL WEAR DISK	1

3-Point Hitch Assembly - 14691



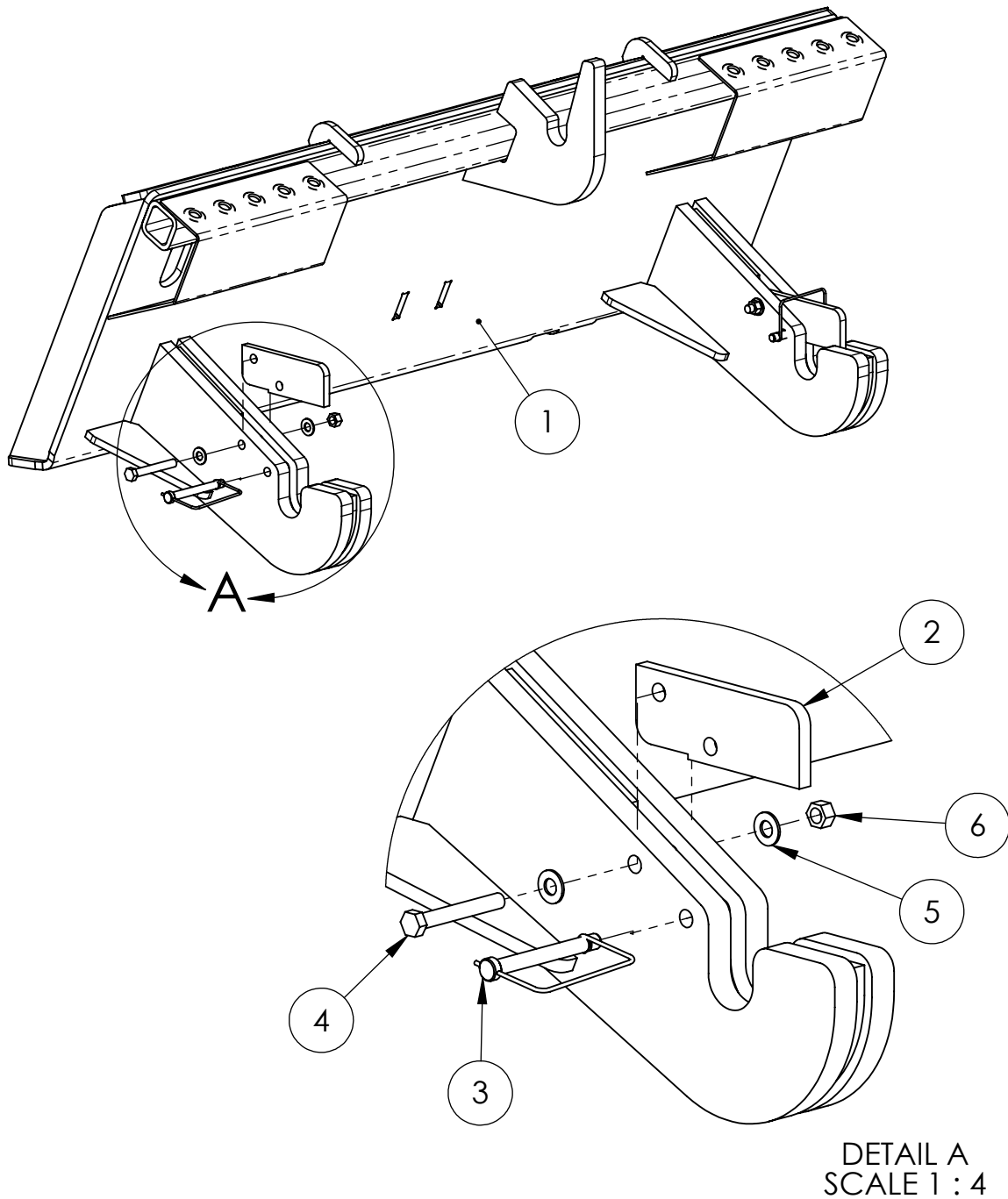
ITEM NO.	PART NUMBER	DESCRIPTION	QTY.
1	14399	3-POINT HITCH, ROLLER	1
2	11370	U-BOLT, 5/8 X 4 X 5.5	2
3	10104	WASHER, 5/8 GR8 ZY	12
4	11122	NUT, 5/8-11 SLTL GR8 ZY	8
5	10886	BOLT, 5/8-11 X 2.0 GR8 ZY	4
6	10416	PIN, LOWER 3-POINT	2
7	10123	LINCH PIN, 7/16	3
8	10121	PIN - CAT II TOP, 3 POINT	1

Skid Steer Hitch Assembly - 15052



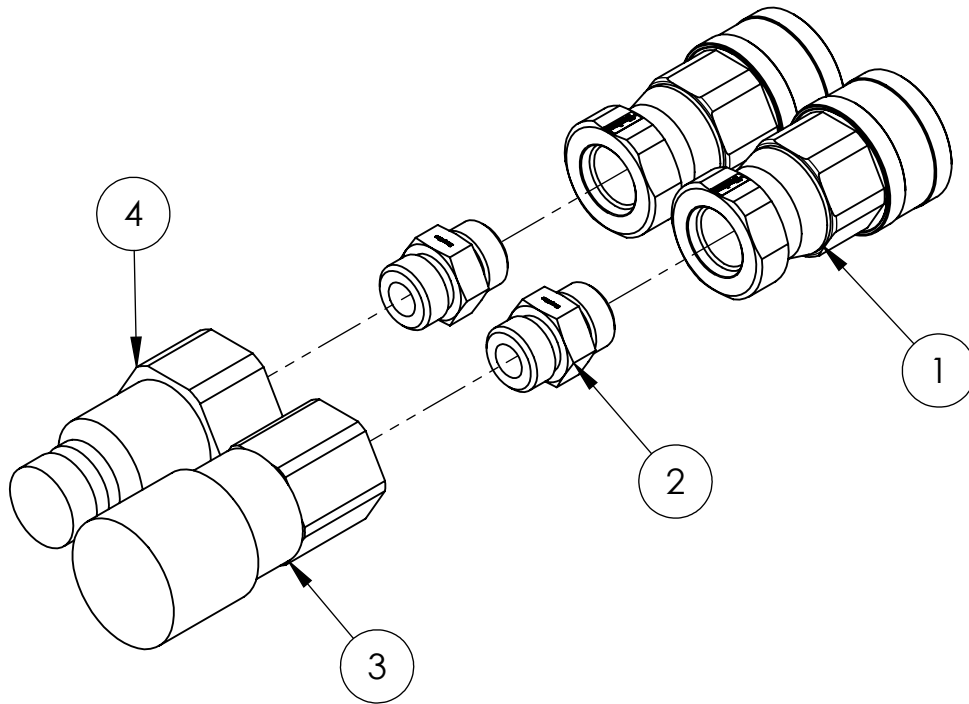
ITEM NO.	PART NUMBER	DESCRIPTION	QTY.
1	17914	QUICK ATTACH, BR2	1
2	11122	NUT, 5/8-11 SLTL GR8 ZY	6
3	10104	WASHER, 5/8 GR8 ZY	12
4	10886	BOLT, 5/8-11 X 2.0 GR8 ZY	2
5	14859	PLATE, COULTER MOUNT	2
6	14820	BOLT, 5/8-11 X 6.5 GR8 ZY	4

Tractor to Skid Steer Hitch Adapter (optional) - 17414



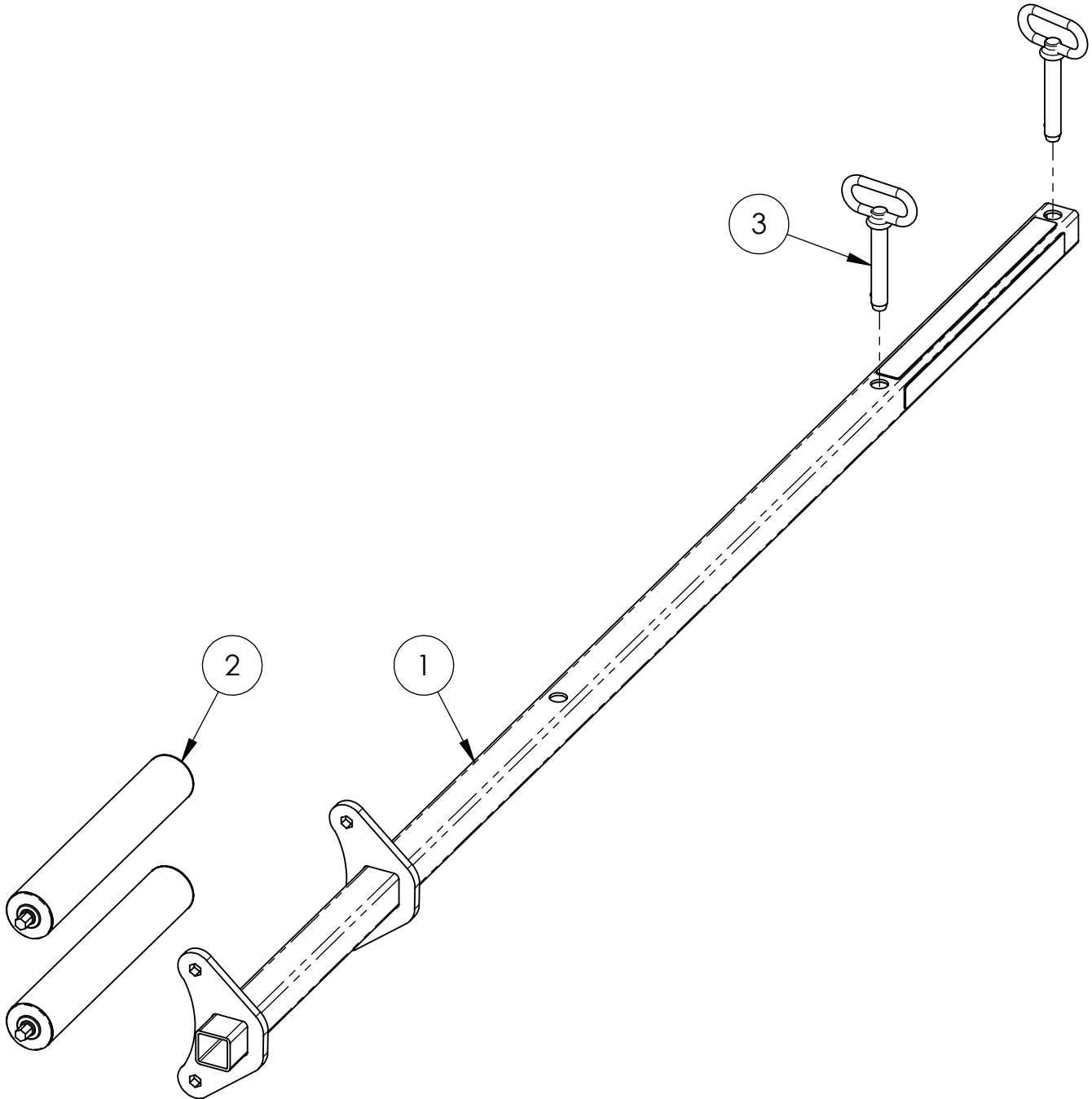
ITEM NO.	PART NUMBER	DESCRIPTION	QTY.
1	10671	SKID STEER ADAPTER	1
2	10674	PLATE, 3-POINT LATCH	2
3	10122	PTO PIN, 3/8 X 3	2
4	10959	BOLT, 3/8-16 X 2.75 GR8 ZY	2
5	10110	WASHER, 3/8 SAE GR8 ZY	4
6	10947	NUT, 3/8-16 SLTL GR8 ZY	2

Tractor to Skid Steer Adapter Kit (optional) - 16514



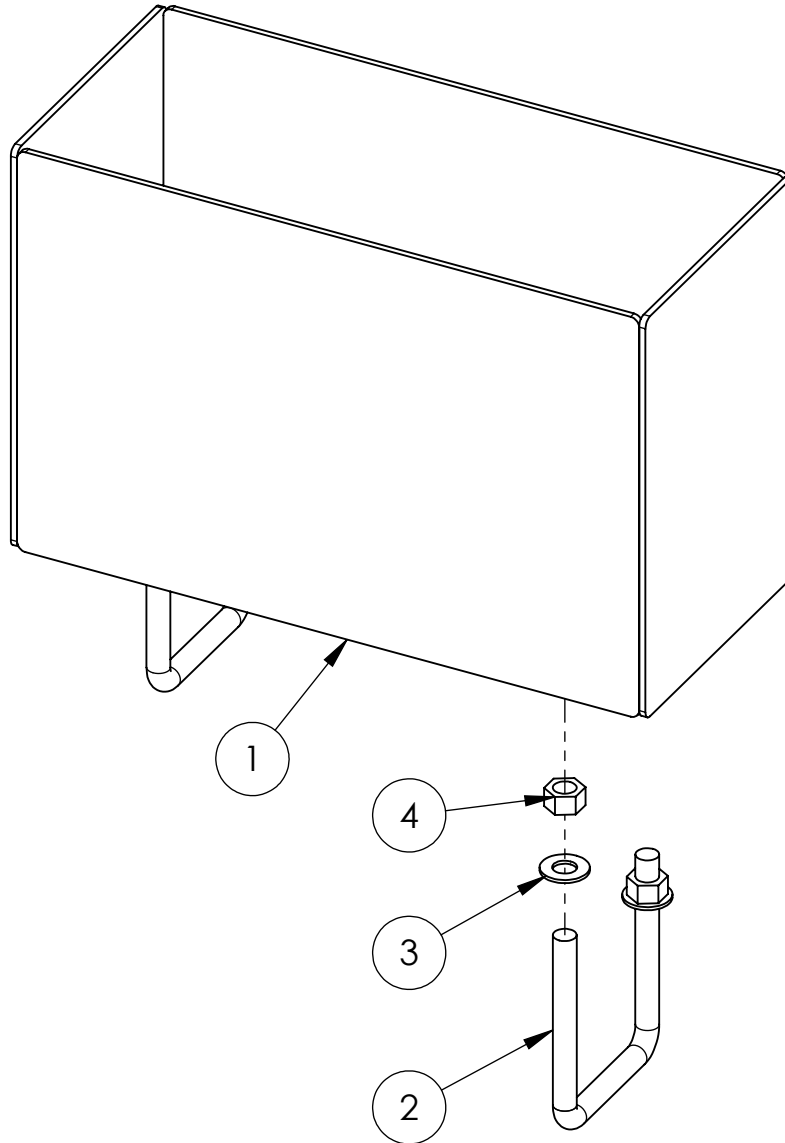
ITEM NO.	PART NUMBER	DESCRIPTION	QTY.
1	16517	AG QUICK COUPLER, FEMALE X 8F ORB	2
2	16518	FITTING, 8M ORB UNION	2
3	10691	COUPLER, FEMALE FLAT FACE	1
4	10692	COUPLER, MALE FLAT FACE	1

Roll Extension Assembly (optional) - 14453



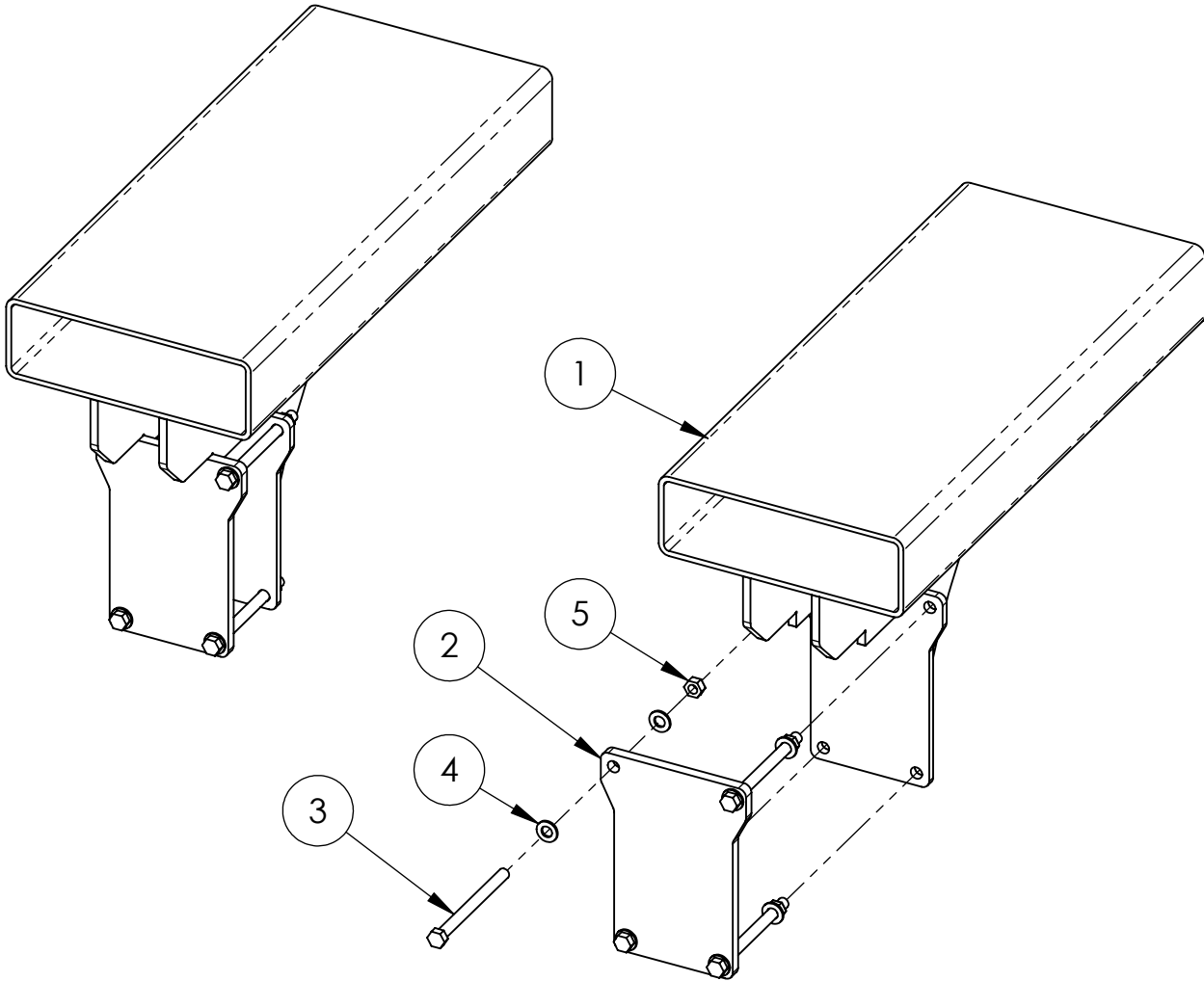
ITEM NO.	PART NUMBER	DESCRIPTION	QTY.
1	14451	ROLL MOUNT EXTENSION	1
2	14402	ROLLER, 2 X 12	2
3	10929	PIN - 5/8 X 3 DETENT	2

Staple Box Assembly (optional) - 15111



ITEM NO.	PART NUMBER	DESCRIPTION	QTY.
1	15110	STAPLE BOX WELDMENT	1
2	11370	U-BOLT, 5/8 X 4 X 5.5	2
3	10104	WASHER, 5/8 GR8 ZY	4
4	11122	NUT, 5/8-11 SLTL GR8 ZY	4

Fork Pockets (optional) - 15265



ITEM NO.	PART NUMBER	DESCRIPTION	QTY.
1	15260	BR2 FORK POCKET WELD	2
2	15262	PLATE, FORK MOUNT	2
3	12735	BOLT, 1/2-13 X 6.0 GR8 ZY	8
4	10062	WASHER, 1/2 SAE GR8 ZY	16
5	10396	NUT, 1/2-13, SLTL GR8 ZY	8